

Linx:

A walking experience
closer to nature

WITH **PRT**[®]
Performance Response Technology[®]



Lower Limb
Prosthetic Catalogue

Issue 21

Blatchford

Orion³: What moves you.

WITH

PRT

Performance Response Technology



Contents

Introduction	4
Activity Level Guide	5-7
Integrated Limb System	8-9
Knees	12-31
Feet and Ankles	32-75
Junior	76-85
Adapters	86-101
Liners	102-107
Cosmesis	108-113
Socket Technology	114-115
Warranty Information	116
Global Warranty Statement	117

Corporate Overview

Blatchford is a multi-award winning manufacturer of some of the world's most advanced prosthetic technology. We combine clinical expertise and pioneering innovation to redefine mobility and our evidence-based approach prioritises the wellbeing and long-term health of users.

Founded in 1890, we have a long history of firsts and continue to be widely recognised for our commitment to innovation in the industry.

We are proud to have created the very first commercially available hydraulic ankle, the first microprocessor-controlled hydraulic ankle and the world's first fully integrated limb system. Our pioneering technology has also been the recipient of many prestigious awards including the Queen's Award, the MacRobert Award, the German Design Award and the Medical Design Excellence Award.

Our holistic approach to product design, centres around the whole person and not just their mobility limitation. This ensures we develop solutions that not only help people to get the most out of every day, but to do so in a way that cares for their long-term health and wellbeing. Through extensive collaboration, we also work to provide evidence and inform best practice in the industry to give healthcare providers the confidence to prescribe and find solutions that deliver results.



Activity Levels

Prescription Activity Level Guide



Has the ability or potential to use a prosthesis for transfers or ambulation on level surfaces at fixed cadence. Typical of the limited and unlimited household ambulator.



Has the ability or potential for ambulation with the ability to traverse low level environmental barriers such as curbs, stairs, or uneven surfaces. Typical of the limited community ambulator.



Has the ability or potential for ambulation with variable cadence. Typical of the community ambulator who has the ability to traverse most environmental barriers and may have vocational, therapeutic, or exercise activity that demands prosthetic utilization beyond simple locomotion.



Has the ability or potential for prosthetic ambulation that exceeds basic ambulation skills, exhibiting high impact, stress, or energy levels. Typical of the prosthetic demands of the child, active adult, or athlete.

Prescription Impact Level Guide

Low Daily walking and occasional sports such as golf and hiking

Moderate Aggressive walking, frequent or daily sports such as jogging

High Daily activities such as distance running, climbing, lifting and carrying heavy objects for vocational purposes

Notes

1. The maximum user weight/activity guidelines provided on our catalogue product pages and Clinician's Manuals give the ideal functional prescription, this may vary by region or reimbursement system. Our instructions for use provide structural safety levels which may differ.
2. The weight limit on the complete prosthesis is determined by its lowest rated component.
3. The weight limit applies to all products unless stated otherwise.
4. Before assembly always refer to the appropriate technical information.
5. See Blatchford website for latest product information.

Activity Levels

Product	Level 1	Level 2	Level 3	Level 4
Integrated Limb System				

Linx				
------	--	--	--	--

Product	Level 1	Level 2	Level 3	Level 4
Microprocessor Knees				

Orion ³				
--------------------	--	--	--	--

Smart IP				
----------	--	--	--	--

Hydraulic Knees				
-----------------	--	--	--	--

KX07				
------	--	--	--	--

Mercury				
---------	--	--	--	--

Locking and Free Option Knees				
-------------------------------	--	--	--	--

ESK ⁺				
------------------	--	--	--	--

ESK ⁺ MKL				
----------------------	--	--	--	--

BMK2				
------	--	--	--	--

Compact SAKL				
--------------	--	--	--	--

Aqualimb ^{TF}				
------------------------	--	--	--	--

Product	Level 1	Level 2	Level 3	Level 4
Junior				

Mini Blade ^{XT}				
--------------------------	--	--	--	--

Child's 4-bar Knee				
--------------------	--	--	--	--

Activity Levels

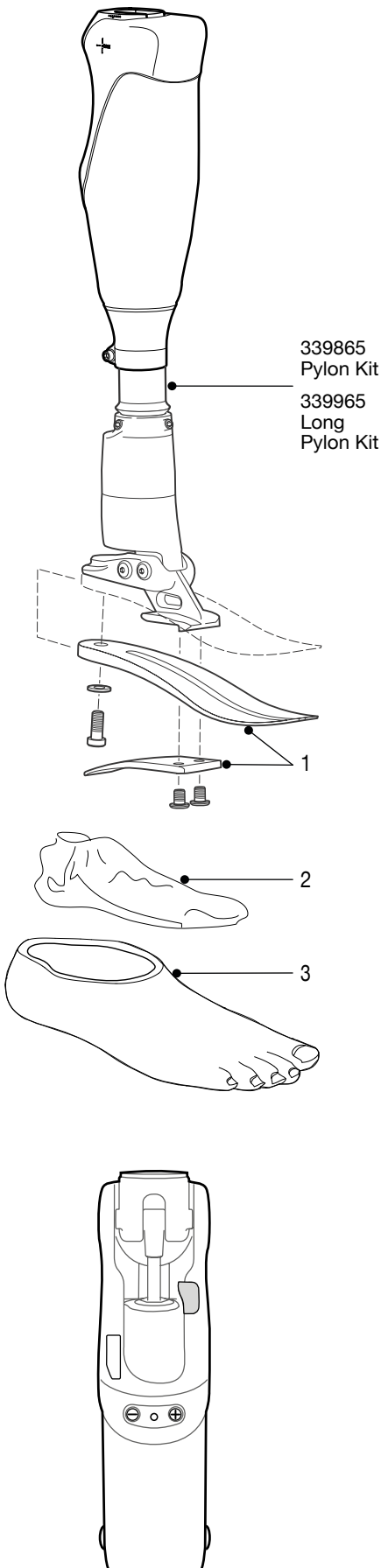
Product	Level 1	Level 2	Level 3	Level 4
Feet With Dynamic Foot Springs				
Elan				
Elan ^{IC}				
Echelon ^{VAC}				
Echelon ^{VT}				
Echelon				
Echelon ^{ER}				
Elite ²				
Elite ^{VT}				
Epirus				
Esprit				
Elite Blade				
Elite Blade ^{VT}				
Blade ^{XT}				
Javelin				
Feet With Resilient/Cushioned Ankle Function				
Avalon ^{K2}				
AvalonK2 ^{VAC}				
Navigator				
Multiflex <small>Standard/Slim</small>				
SuperSACH				
Aqualimb ^{TT}				



Integrated Limb System



Linx Schematics



1 Spring Kits:

Foot Size	Foot Size	Foot Size	Foot Size
22-24	25-26	27-28	29-30
Set 1 - 539801S	Set 1 - 539810S	Set 1 - 539819S	Set 1 - 539828S
Set 2 - 539802S	Set 2 - 539811S	Set 2 - 539820S	Set 2 - 539829S
Set 3 - 539803S	Set 3 - 539812S	Set 3 - 539821S	Set 3 - 539830S
Set 4 - 539804S	Set 4 - 539813S	Set 4 - 539822S	Set 4 - 539831S
Set 5 - 539805S	Set 5 - 539814S	Set 5 - 539823S	Set 5 - 539832S
Set 6 - 539806S	Set 6 - 539815S	Set 6 - 539824S	Set 6 - 539833S
Set 7 - 539807S	Set 7 - 539816S	Set 7 - 539825S	Set 7 - 539834S
Set 8 - 539808S	Set 8 - 539817S	Set 8 - 539826S	Set 8 - 539835S

2 Glide Sock: 22-26 - 531011, 27-30 - 532811

3 Foot shells:*

Foot size Left/Right	Narrow	Wide
22L	539038S	-
22R	539039S	-
23L	539040S	-
23R	539041S	-
24L	539042S	-
24R	539043S	-
25L	539044SN	539044SW
25R	539045SN	539045SW
26L	539046SN	539046SW
26R	539047SN	539047SW
27L	539048SN	539048SW
27R	539049SN	539049SW
28L	539050SN	539050SW
28R	539051SN	539051SW
29L	-	539052S
29R	-	539053S
30L	-	539054S
30R	-	539055S

*For dark tone add suffix D

Pylon Kit	339865
Pylon cutting jig	941257
Battery charger kit	239093V2A
Aus adaptor	950164
UK adaptor	950136
Euro adaptor	950137
US adaptor	950138
Shin extension cable	239090
Socket screwdriver 4mm	940271
Socket Hex 5mm AF	940266
Clinician's Manual	938353V2A
Cosmetic Cover	561101BLACK
Blatchford Large Limb bag	936267

Proximal Attachments

Rotating Pyramid with Shift	239017		7mm
Non-rotating Pyramid with Shift	239089		7mm
Rotating Female Pyramid with Shift	189128		28mm
M36 Threaded Adapter	239092		14mm

Build part numbers are for assembly guidance only and may not be for sale separately.



Fully integrated, microprocessor controlled lower limb system for above knee amputees.

Linx

Integrated Limb System

Features

- **Situational Awareness** - Integrated sensors continuously collect data to seamlessly adapt the limb's response
- **Key Features** - New and Improved
 - **Improved Ramp Ascent Assist Mode**
 - **New Heel Rise Damping**
 - **Improved Stair Descent Recognition**
 - **Improved Stance Flexion**
 - **Stumble Recovery**
 - **Standing Support**
- Training Mode, Cycling Mode and Flexion Lock Mode
- Knee Flexion to 130°
- Intuitive Programming Software via iOS or Android App
- Up to 3 days battery life
- Sandal Toe Foot Shell
- Cosmetic Cover

Specifications

Max. User Weight:	125kg
Activity Level:	(2), 3, (4*)
Size Range:	22 to 30
Component Weight:	2.6kg†
Build Height:	470mm to 565mm
Heel Height:	10mm



Suitable for outdoor use

Order Example

Product Code	Size	Side	Width*	Spring Set	Sandal Toe
LINX	25	L	N	3	S

*Narrow (N) and Wide (W) available for sizes 25-28 only. For dark tone add suffix D. Example: foot size 25, left, narrow, spring rating 3, sandal toe.

Accessories

Long Pylon Kit	339965
Alignment Wedge	940093
Magnetic Charger Kit	239093V2A
Magnetic Charger Cover	236554

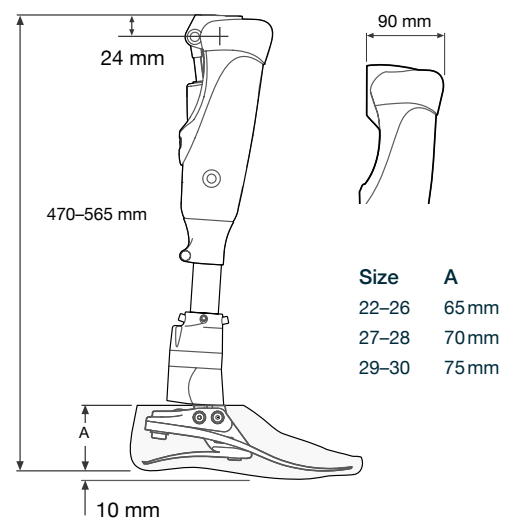


Socket Adapters

P409049



Build Height



Activity Level 3 has the ability or potential for ambulation with variable cadence. Typical of the community ambulator who has the ability to traverse most environmental barriers and may have vocational, therapeutic, or exercise activity that demands prosthetic utilization beyond simple locomotion. Activity level 2 and 4* users will require softer or stiffer springs as appropriate for the individual user rather than as shown in the spring selection guide.

Activity
3

User Weight

44-52	53-59	60-68	69-77	78-88	89-100	101-116	117-125	kg
100-115	116-130	131-150	151-170	171-195	196-220	221-255	256-275	lbs

1	2	3	4	5	6	7	8
---	---	---	---	---	---	---	---

Spring set

*Max user weight 100kg and always use one higher spring rate.
†Component weight shown is for a size 26cm without foot shell.

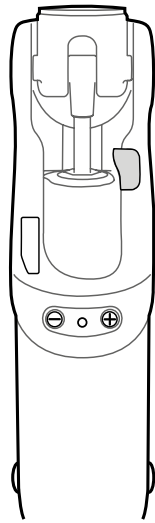
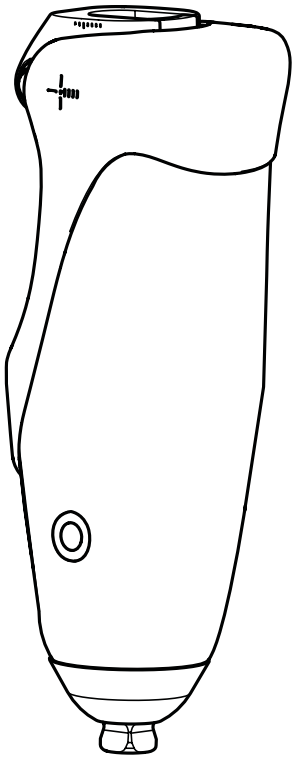






Knees

Orion³ Schematics



Clinicians Manual

938374V2A



Microprocessor controlled hydraulic knee with intelligent speed control.

Orion³

Features

- Situational Awareness – an Inertial Measurement Unit senses movement and speed to respond accordingly, in real time
- Key Features - New & Improved
 - **New** Heel Rise Damping
 - **Improved** Stair Descent Recognition
 - **Improved** Stance Flexion
 - **New** Button Programming Functionality
 - Standing Support
 - Stumble Recovery
- Natural Efficient Motion - MPC pneumatics ensure energy efficient and smooth swing at multiple speeds
 - Optimal Stance Release
 - Adaptive Speed Control
 - Terminal Swing Damping
- Training Mode, Cycling Mode and Flexion Lock Mode
- Knee Flexion to 130°
- Intuitive Programming Software via iOS or Android App
- Lithium Ion batteries with up to 3 days life, dependent on usage
- Battery Life Indicator and Low Power Mode
- Cosmetic Cover

Specifications

Max. User Weight:	125kg
Activity Level:	(2), 3, (4*)
Component Weight:	1.5kg
Build Height:	250mm
Control Unit:	MPK Hydraulic/Pneumatic

*Dependent on local reimbursement guidelines/maximum user weight 100kg



Part Numbers

ORION3

Accessories

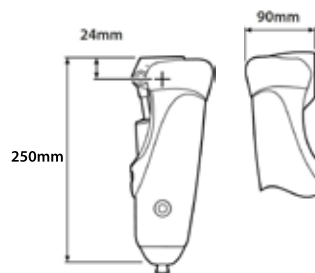
Battery Charger Kit	239093V2A
Cosmetic Cover	561101BLACK
Blatchford large limb bag	936267
Blatchford small limb bag	936268

Socket Adapters

P409049 



Build Height

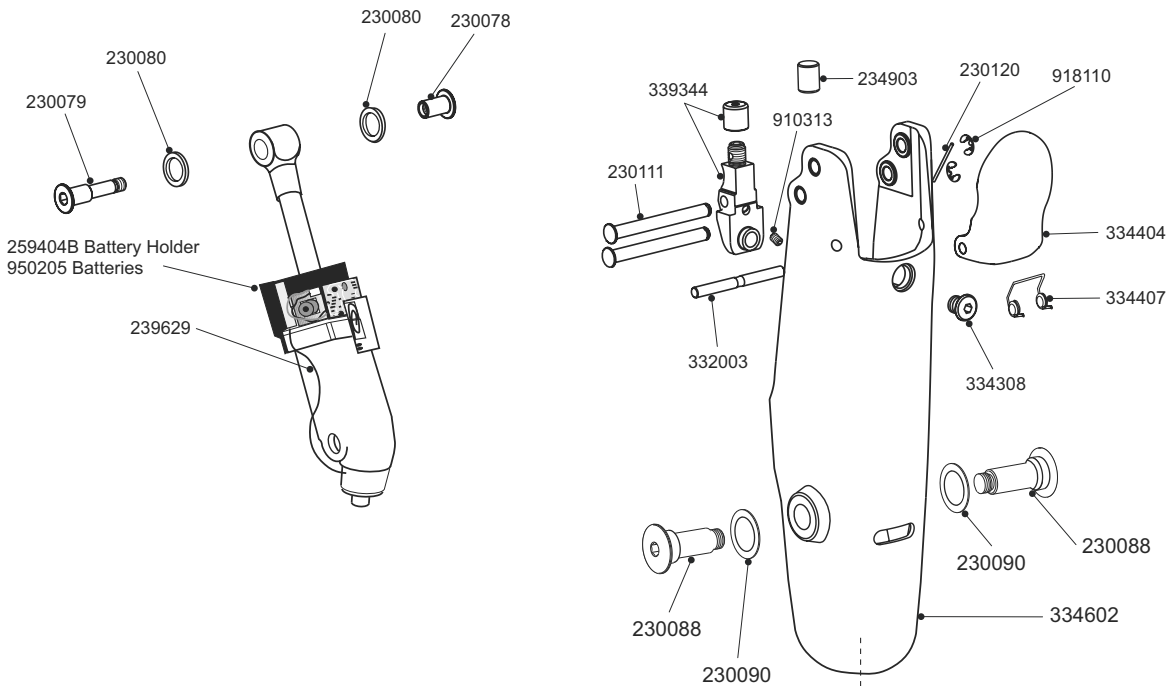
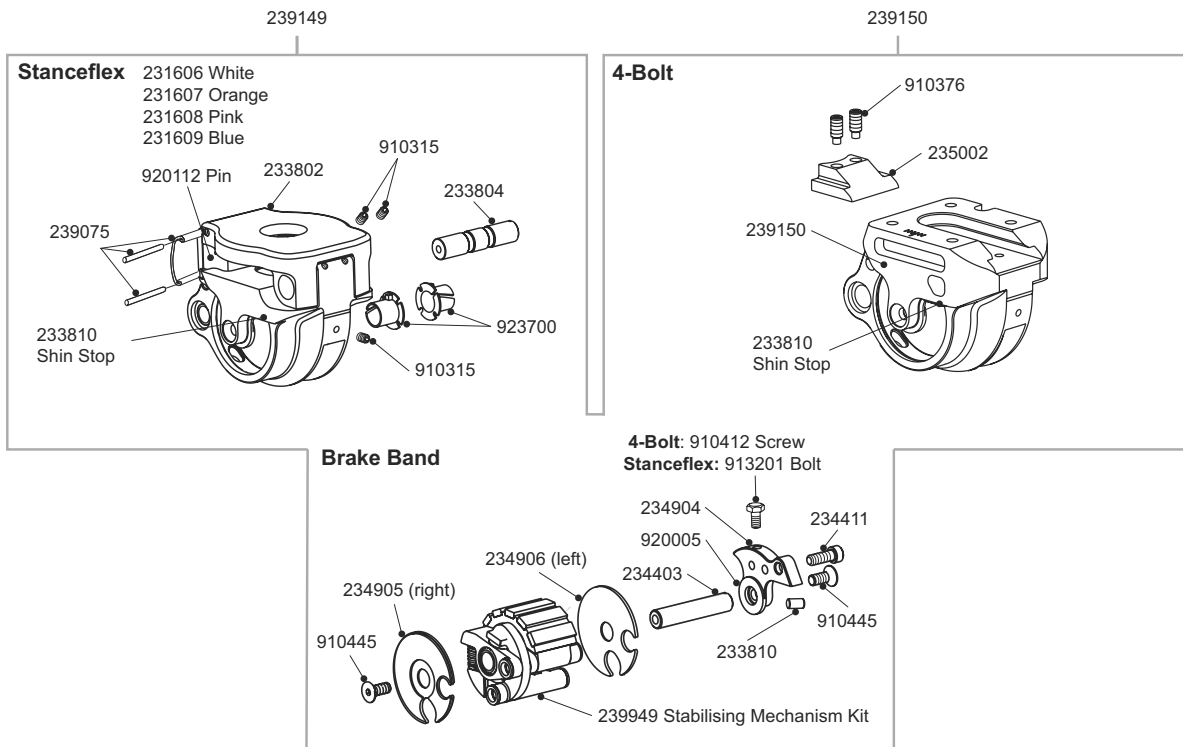


Proximal Attachments

Rotating Pyramid with Shift	239017		
Non-rotating Pyramid with Shift	239089		
Rotating Female Pyramid with Shift	189128		
M36 Threaded Adapter	239092		



SmartIP Schematics



Instructions for use	938250
Control cylinder instructions	938238
Alignment/stability	938194
Stanceflex ESK+	938192
4-Bolt ESK+	938205
Blatchford large limb bag	936267
Blatchford small limb bag	936268



Build part numbers are for assembly guidance only and may not be for sale separately.

Microprocessor controlled knee with programming technology for optimum swing settings.

Features

- Smart Programming, electromechanical, adjustable terminal impact and extension damping
- Comfortable gait from very slow to fast walking speeds
- Smoother speed progression because of enhanced program
- Weight activated stance control
- Stanceflex option improves comfort
- Battery life expectancy 9-12 months under normal usage
- 140° knee flexion
- 4-Bolt option reduces build height

Specifications

Max. User Weight:	125kg
Activity Level:	(1), 2, 3, (4*)
Component Weight:	1.27kg Stanceflex 1.15kg 4-Bolt
Build Height:	see diagram
Control Unit:	Swing: MPK/Pneumatic Stance: mechanical

* Maximum user weight 100kg



Part Number

Stanceflex options	SMARTIPSF30 SMARTIPSF30PYR
4-Bolt options	SMARTIP4B30 SMARTIP4BPYR

Stanceflex Rubber Hardness

25° 231608 Soft	35° 231606	45° 231607 Fitted as standard	70° 231609 Hard
------------------------------	----------------------	--	------------------------------

Careful selection of Stanceflex rubber is essential as it influences the action of the unit (see fitting information).

Socket Adapters

Stanceflex options

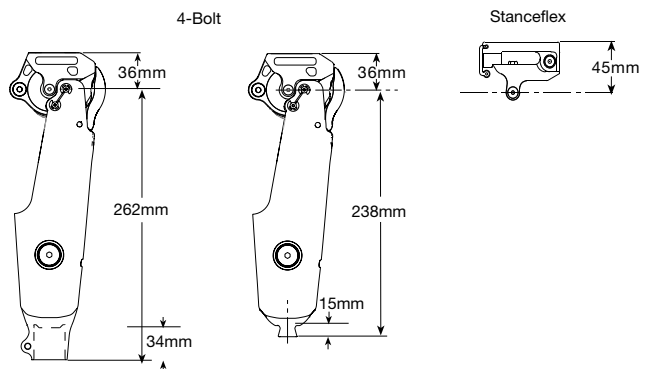


4-Bolt options

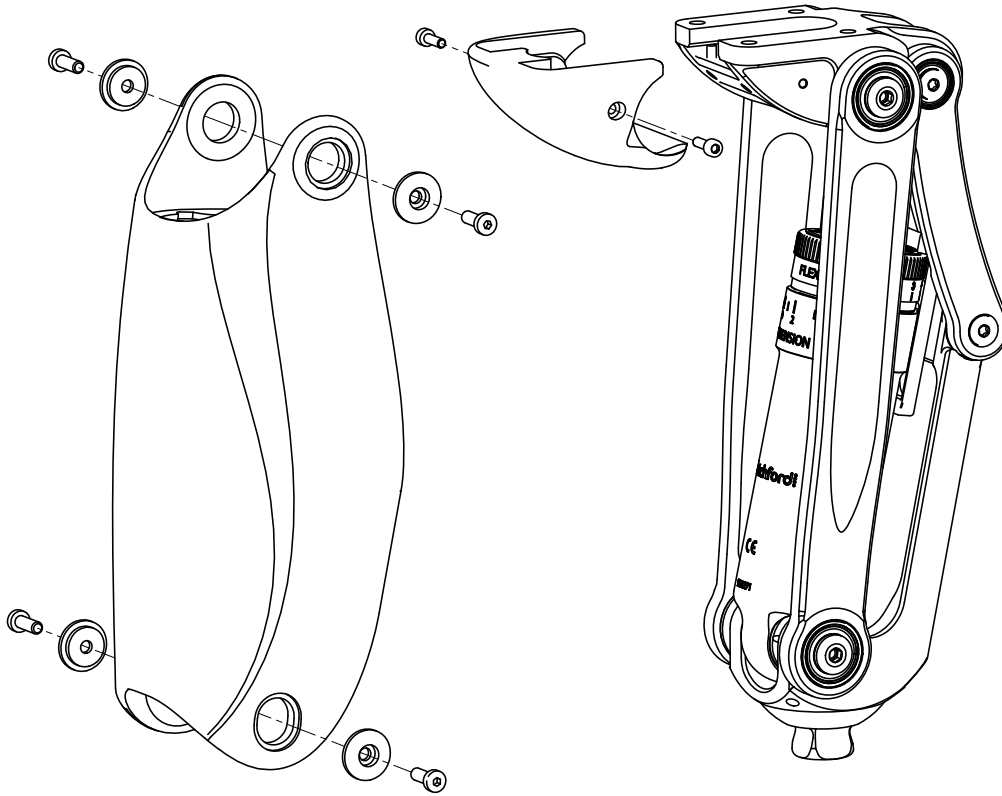


Pyramid option shown

Build Height



KX07 Schematics



Spare Parts:

Knee Pad Kit 239561

Cover replacement kit 239661

Spacer and screw kits for cover 239761

Cover spacer 236122

Instructions for use 938409



Build part numbers are for assembly guidance only and may not be for sale separately.

Robust hydraulic knee for active users.

KX07

Features

- Polycentric knee with hydraulic swing and stance
- Sleek robust design with protective cover
- 160° knee flexion
- Waterproof
- Mode switch for cycling and standing support
- Multiple proximal adapter choices

Specifications

Max. User Weight/Activity Level: 150kg/3
145kg/4

Component Weight: 1.34kg

Build Height: 220mm

Control Unit: Hydraulic



Part Numbers

KX07V2

Accessories

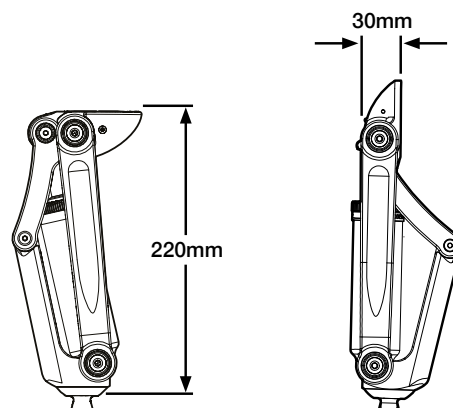
Cylinder Adjuster Tool 940091

Blatchford large limb bag 936267

Blatchford small limb bag 936268



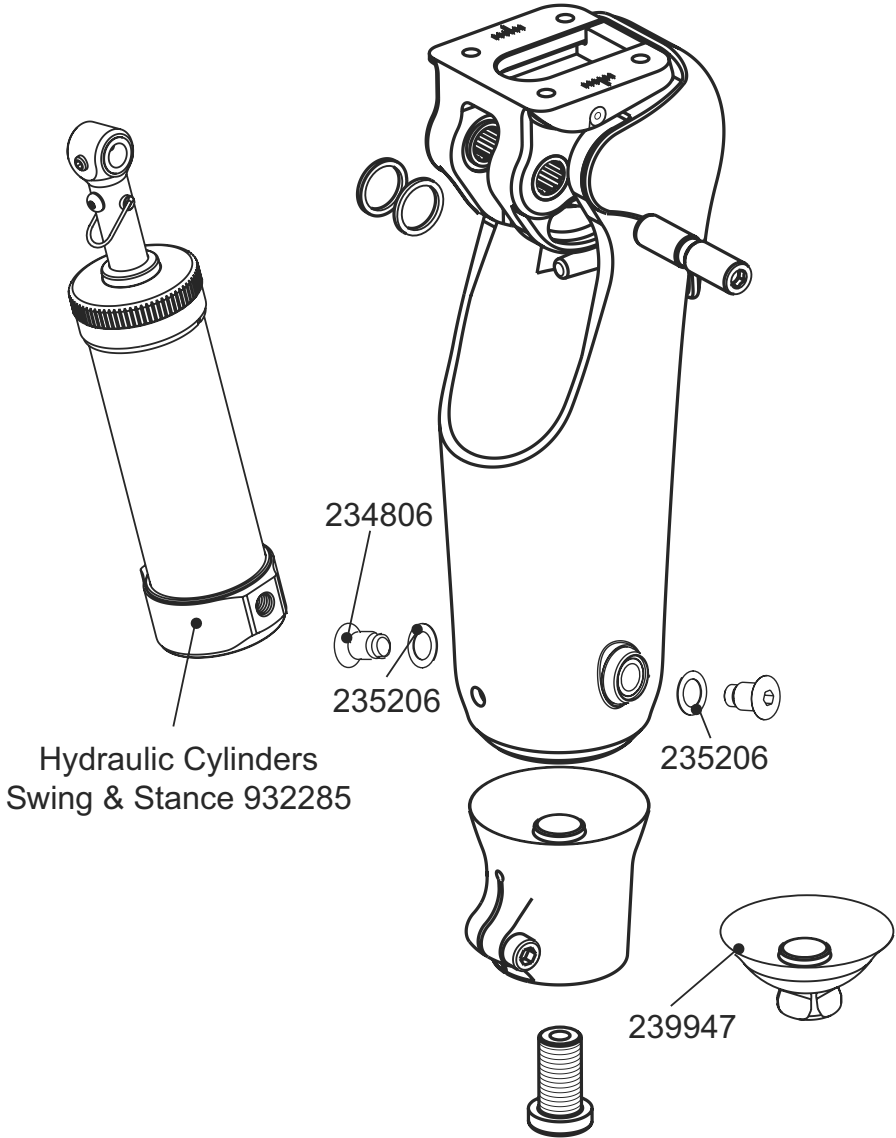
Build Height



Adapters



Mercury Schematics



Instructions for use knee
Control cylinder instructions

938251
938216

Build part numbers are for assembly guidance only and may not be for sale separately.

Robust hydraulic knee for active lifestyles.

Mercury

Knees

Features

- Tough carbon fibre frame
- 125° knee flexion
- Long life needle roller bearings
- Reinforced hydraulic unit
- Variable cadence
- Cylinder flexion lock
- Mode switch for cycling
- Durable urethane kneeler pad
- Compact design

Specifications

Max. User Weight/Activity Level: 150kg/3
145kg/4

Component Weight: 1.23kg

Build Height: See diagram

Control Unit: Hydraulic



Part Numbers

MH30
MHPYR



MH30 shown

Accessories

Cylinder Adjuster Tool 940091

Blatchford large limb bag 936267

Blatchford small limb bag 936268

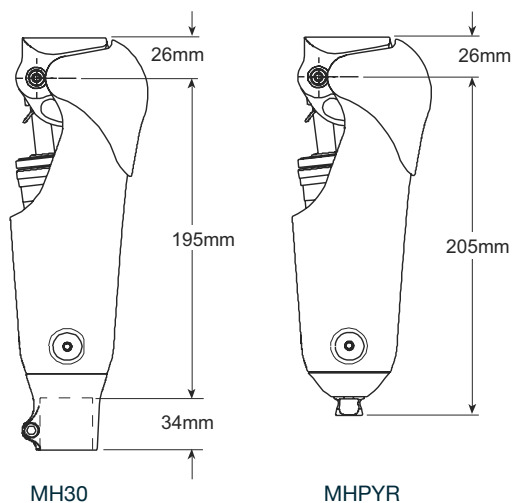


Adapters

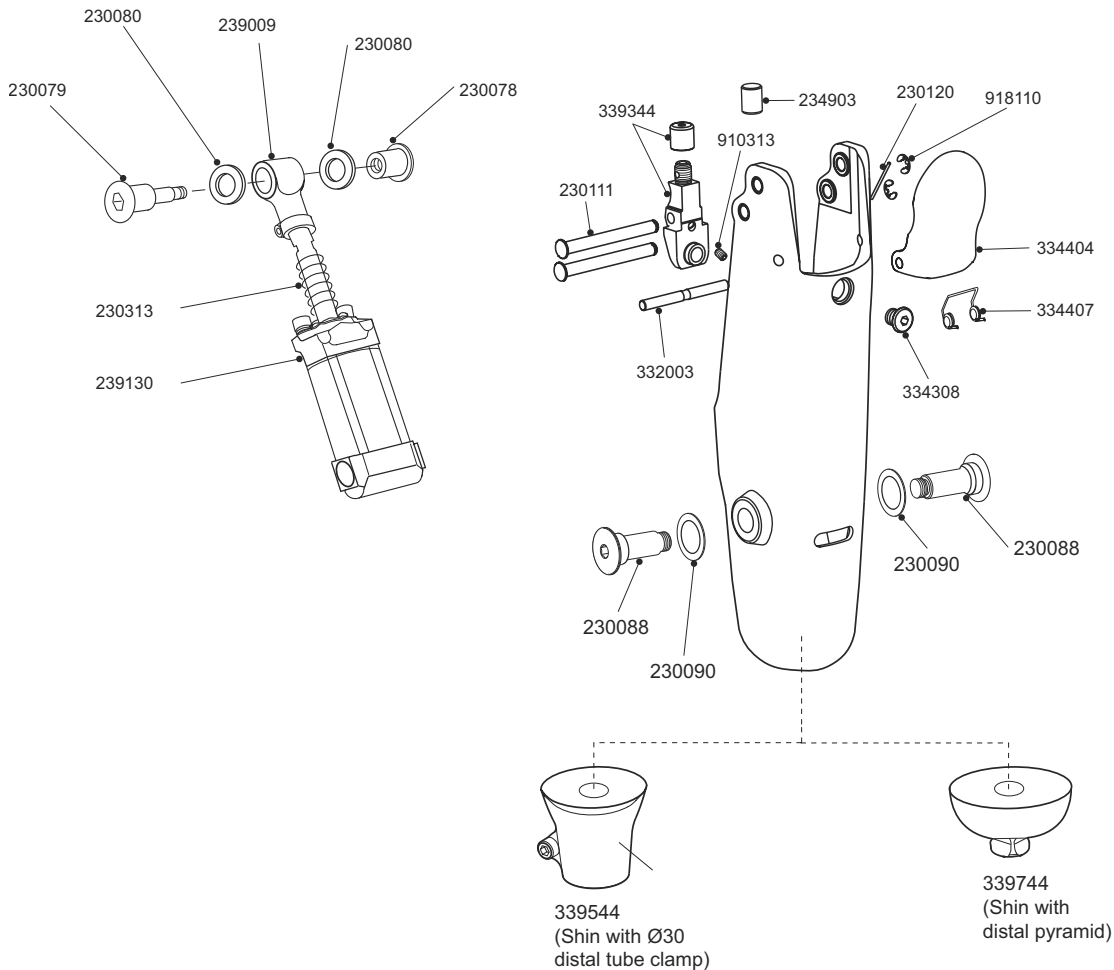
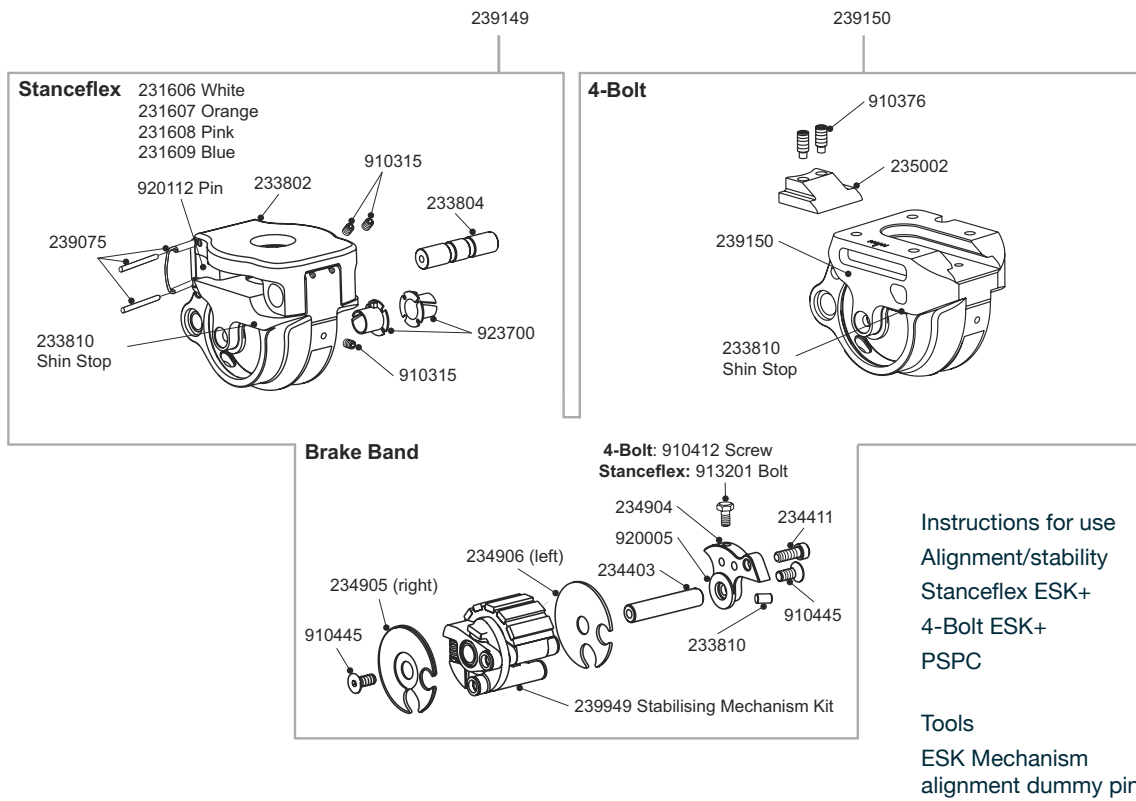
EP-MSR EP-FSR P189310 239017 239032

189128 239092 239089

Build Height



ESK+ Schematics



Build part numbers are for assembly guidance only and may not be for sale separately.

PSPC knee with weight activated stance control for moderately active users.

ESK⁺

Features

- Weight activated adjustable stance control
- Pneumatic swing phase control
- Stanceflex option improves comfort
- 140° of knee flexion
- 4-Bolt option reduces build height

Specifications

Max. User Weight:	125kg
Activity Level:	2, 3, (4*)
Component Weight:	1.13kg Stanceflex 1.15kg 4-Bolt
Build Height:	See diagram
Control Unit:	Pneumatic

* Maximum user weight 100kg



Suitable for outdoor use

Part Numbers

4-Bolt options	ESK4BP30 ESK4BPPYR
Stanceflex Options	ESKSFP30 ESKSFPYR

Stanceflex Rubber Hardness

25° 231608 Soft	35° 231606	45° 231607 Fitted as standard	70° 231609 Hard
------------------------------	----------------------	--	------------------------------

Careful selection of Stanceflex rubber is essential as it influences the action of the unit (see fitting information).

Accessories

Blatchford large limb bag	936267
Blatchford small limb bag	936268

Adapters

Stanceflex options

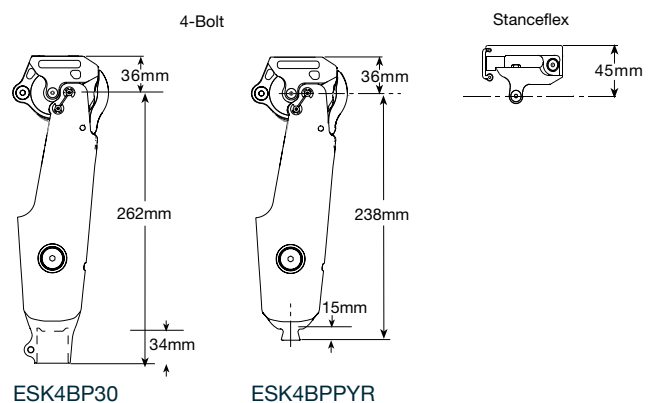


4-Bolt options



ESK4BP30 shown

Build Height



Fitting Kit for PSPC

Fitting Kit for PSPC 019758

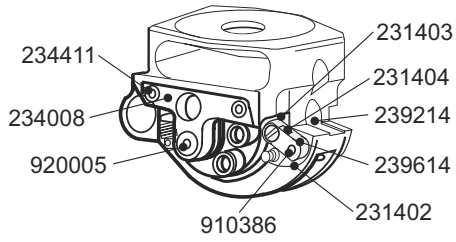
- Includes:
- Nut
 - Bolt
 - Thrust washer, 2 off
 - Lower pivot, 2 off
 - Thrust washer, 2 off
 - Assistor spring
 - Trunnion



ESK+ MKL Schematics

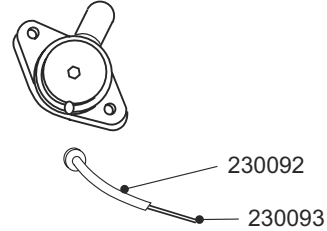
239440

Single Bolt Chassis



239640

Thigh Release Kit



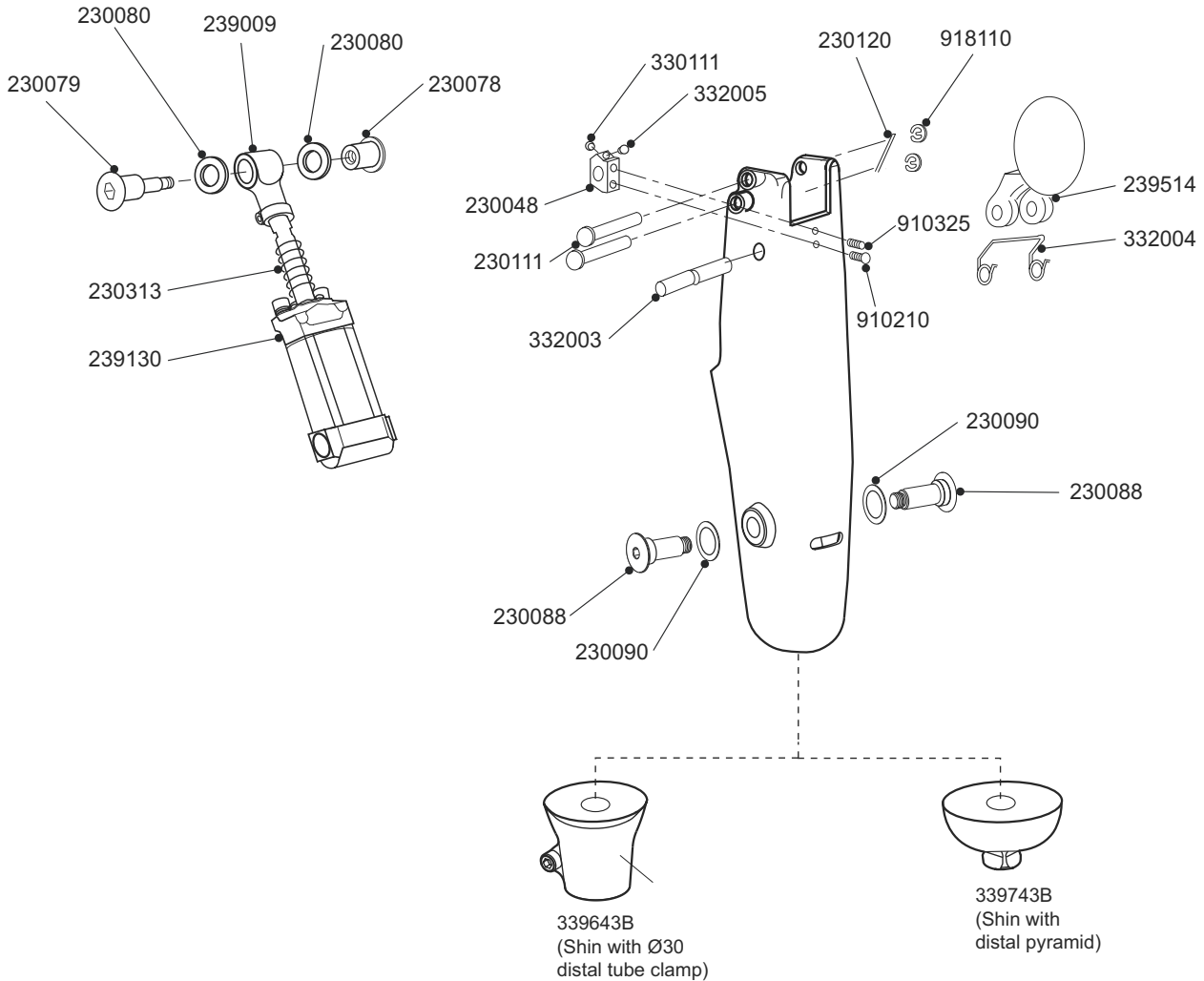
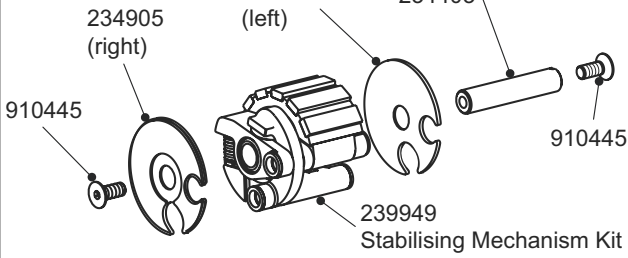
Instructions for use

MKL thigh Release kit	938231
Knee	938230 & 938194
PSPC	938057

Tools

ESK Mechanism alignment dummy pin	234914
-----------------------------------	---------------

Brake Band



Build part numbers are for assembly guidance only and may not be for sale separately.

PSPC knee with weight activated stance control and manual knee lock for moderately active users.

ESK⁺ MKL

Features

- Weight activated stance control with lock option
- Pneumatic swing control
- Manual user-operated lock
- 115° knee flexion
- Universal thigh release lock operation
- Proximal full alignment

Specifications

Max. User Weight:	125kg
Activity Level:	(1), 2, (3), (4*)
Component Weight:	1.2kg
Build Height:	See diagram
Control Unit:	Pneumatic/lock

* Maximum user weight 100kg



ESKSBMKLP30 shown

Part Numbers

ESKSBMKLP30
ESKSBMKLPPYR

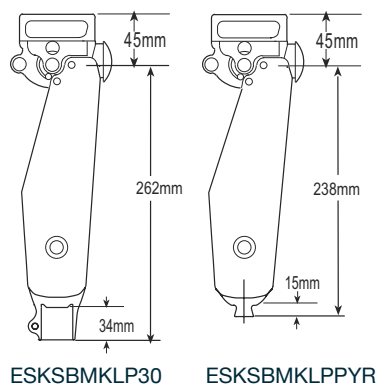
Accessories

Thigh Release Kit	239640 (included)
Blatchford large limb bag	936267
Blatchford small limb bag	936268
ESK Spares Kit	ESK SKit

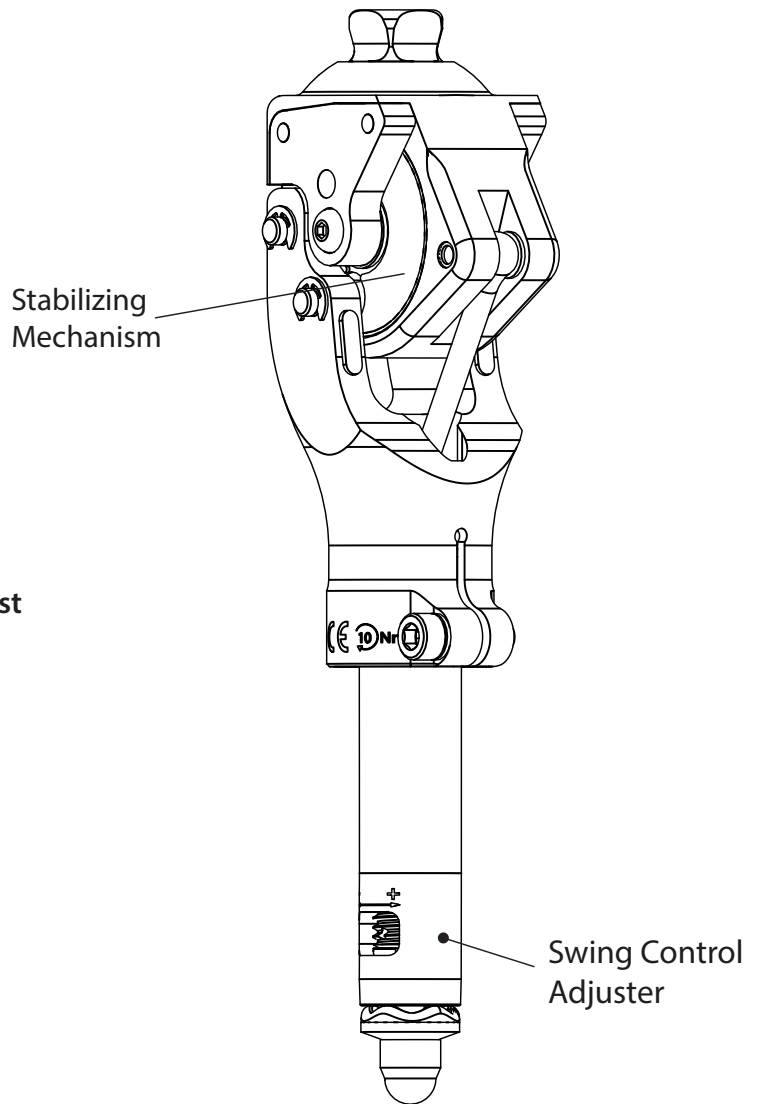
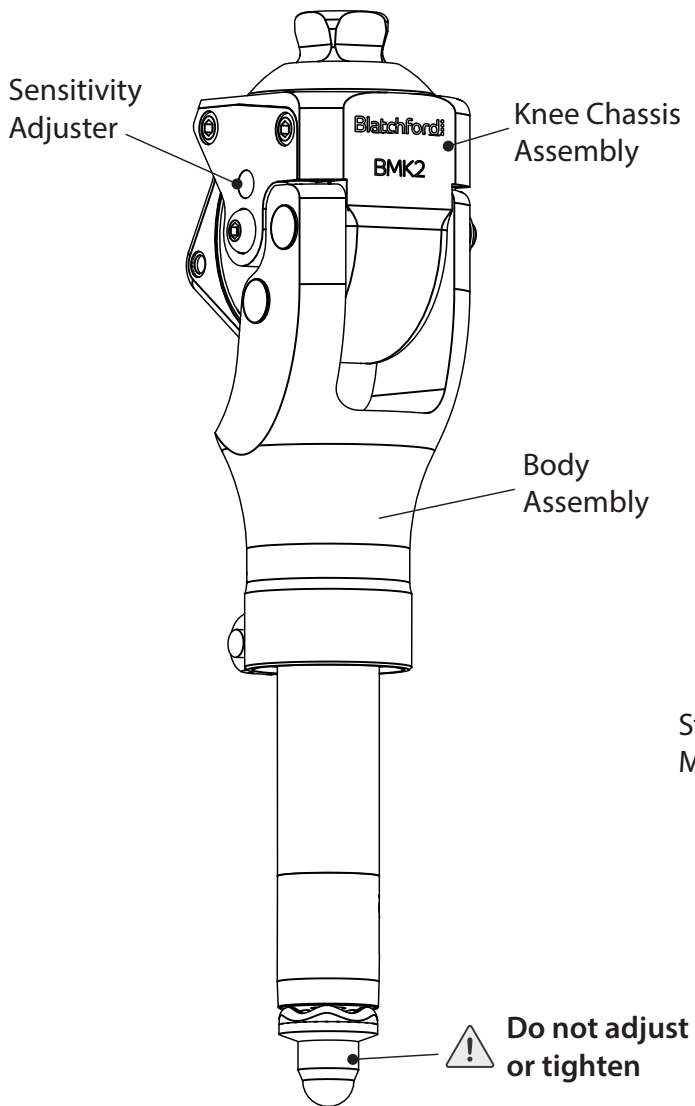
Adapters



Build Height



BMK2 Schematics



Instructions for use
User Guide

938268
938458

Compact, lightweight stabilised knee designed for low activity amputees.

BMK2

Features

- Weight activated stance control providing smooth activation and release
- Brake mechanism with adjustable stance phase stability and progressive locking provides high stability and confidence during stance
- Stance Flexion provides additional shock absorption and cushioning improving comfort
- Adjustable spring-assisted swing control allows adjustment of heel rise/extension bias ensuring the limb is in the right place at the right time. Optimising ground clearance whilst reducing the risk of tripping
 - 6 levels of stance phase stability control are adjusted via a 3mm allen key
 - Extension bias adjuster enables more sensitive adjustments for better customization
- Lightweight (580g) requires less energy to maintain mobility
- Compact (60mm protrusion when knee flexed)
- Quick and easy to align incorporating a proximal rotating pyramid
- 130° knee flexion angle
- Field serviceable (refer to IFU)



Specifications

Max. User Weight:	125kg
Activity Level:	1 & 2
Component Weight:	580g (1lb 5ozs)
Build Height:	127mm



Suitable for outdoor use

Part Number

BMK2

Accessories

Extension Stop Kit	239453
Stabilizing Mechanism Kit	239553
Extension Buffer	B-0000021
Blatchford large limb bag	936267
Blatchford small limb bag	936268

Proximal Attachment

Rotating Male Pyramid

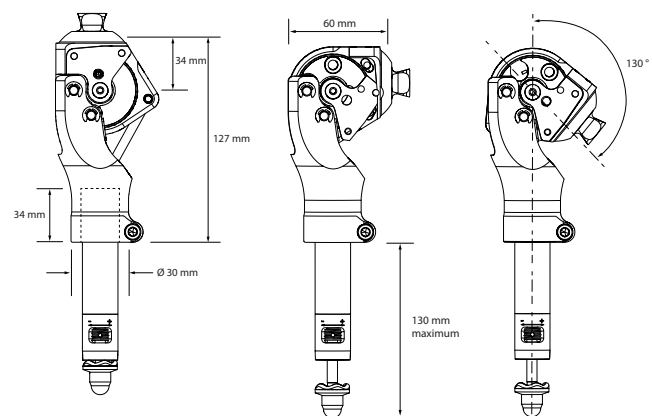
Distal Attachment

30mm Diameter Tube Clamp

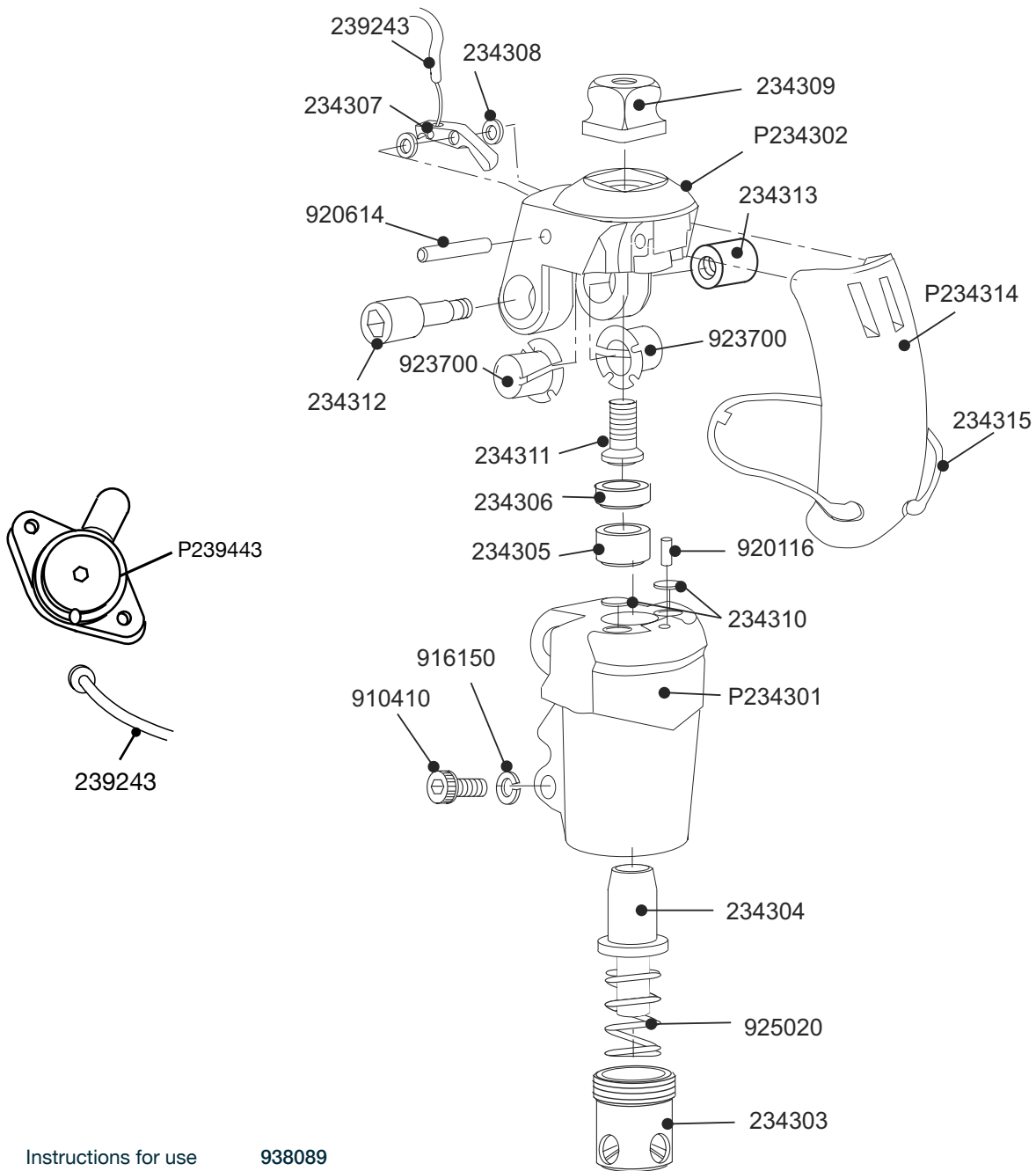
Recommended Foot

- AvalonK2 or Navigator
- + AK30M1 Tube clamp adaptor pyramid female 30mm
- + 903220/500 Aluminium pylon 30mm/500mm

Build Height



Compact SAKL Schematics



Instructions for use 938089

Compact and lightweight knee,
ideal for low activity users.

Compact SAKL

Features

- Slim, low profile knee
- 140° knee flexion
- Locks automatically on extension
- Thigh release

Specifications

Max. User Weight:	125kg
Activity Level:	1-2
Component Weight:	325g
Build Height:	See diagram
Control Unit:	SAKL



Side view shown



Suitable for outdoor use

Part Number

P239143

Accessories

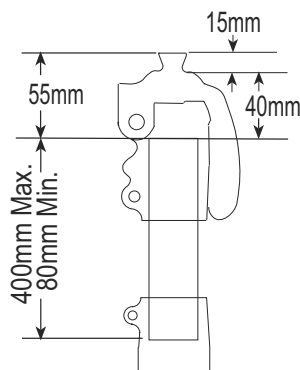
Thigh Release Kit (release lever only)	P239443
Thigh Release Cable	239243
SAKL & MK Cable Kit	SAKLCKit

Adapters

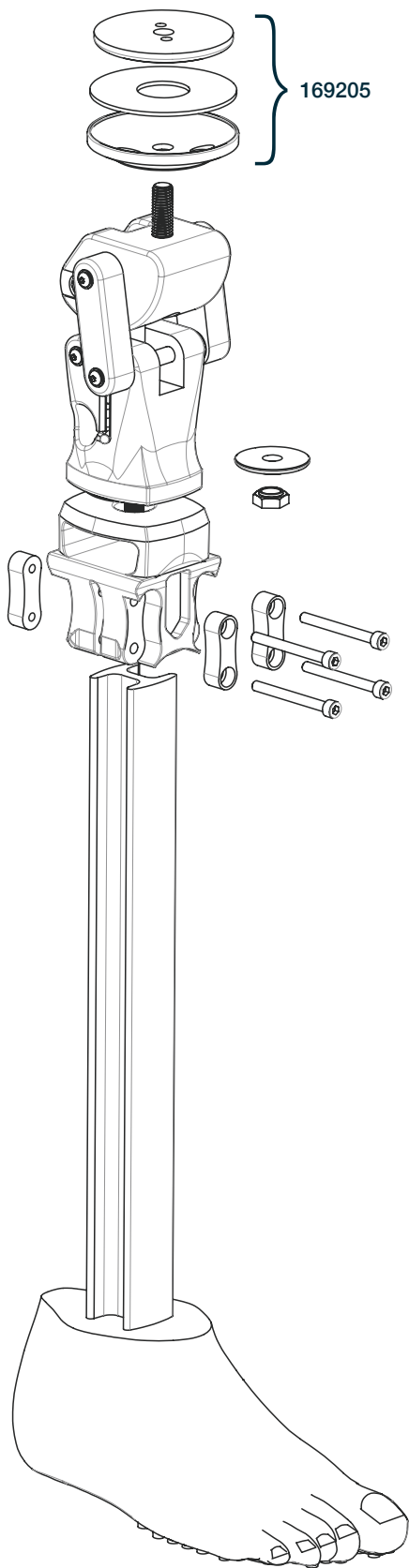
P409049



Build Height



Aqualimb^{TF} Schematics



Instructions for use
Alignment Kit
Blatchford large limb bag
Blatchford small limb bag

938321
169205
936267
936268

A waterproof prosthesis designed for use in the shower and wet environments.

Aqualimb^{TF}

Features

- Machined polycentric linkage designed knee to improve security
- Manual lock option to increase stability
- Rapid assembly
- Anti-slip tread pattern on sole

Specifications

Max. User Weight:	100kg
Activity Level:	1-2
Size Range:	22cm-27cm
Component Weight†:	2.0kg
Build Height:	400-585mm
Heel Height:	5mm

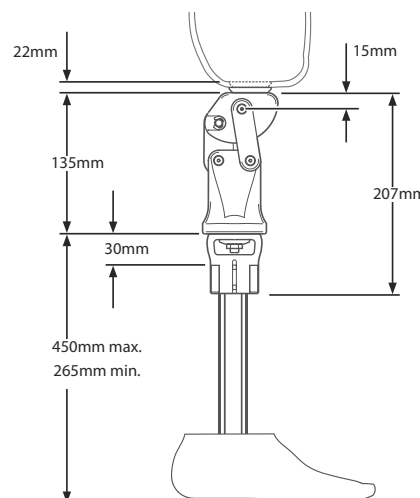


Order Example

Product Code	Size	Side
AQTF	25	L

Foot example: AqualimbTF, size 25 left.

Build Height





Feet and Ankles



Elan Schematics

1 Spring Kits:

Foot Size	Foot Size	Foot Size	Foot Size
22-24	25-26	27-28	29-30
Set 1 - 539801S	Set 1 - 539810S	Set 1 - 539819S	Set 1 - 539828S
Set 2 - 539802S	Set 2 - 539811S	Set 2 - 539820S	Set 2 - 539829S
Set 3 - 539803S	Set 3 - 539812S	Set 3 - 539821S	Set 3 - 539830S
Set 4 - 539804S	Set 4 - 539813S	Set 4 - 539822S	Set 4 - 539831S
Set 5 - 539805S	Set 5 - 539814S	Set 5 - 539823S	Set 5 - 539832S
Set 6 - 539806S	Set 6 - 539815S	Set 6 - 539824S	Set 6 - 539833S
Set 7 - 539807S	Set 7 - 539816S	Set 7 - 539825S	Set 7 - 539834S
Set 8 - 539808S	Set 8 - 539817S	Set 8 - 539826S	Set 8 - 539835S

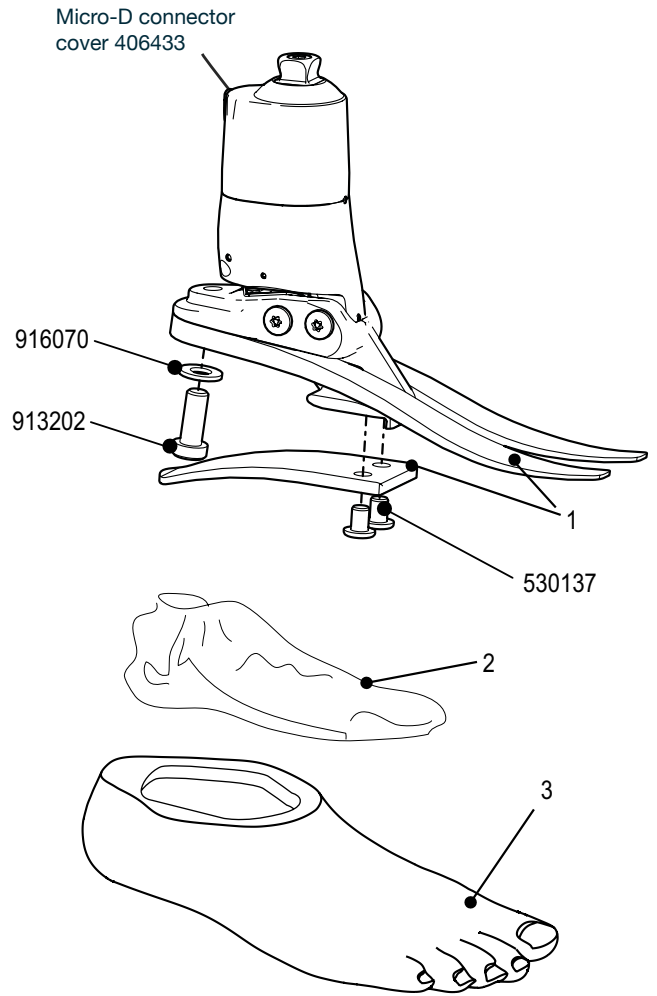
2 Glide Sock:

Size 22-26	531011
Size 27-30	532811

3 Foot Shells:*

Foot size Left/Right	Narrow	Wide
22L	539038S	-
22R	539039S	-
23L	539040S	-
23R	539041S	-
24L	539042S	-
24R	539043S	-
25L	539044SN	539044SW
25R	539045SN	539045SW
26L	539046SN	539046SW
26R	539047SN	539047SW
27L	539048SN	539048SW
27R	539049SN	539049SW
28L	539050SN	539050SW
28R	539051SN	539051SW
29L	-	539052S
29R	-	539053S
30L	-	539054S
30R	-	539055S

*For dark tone add suffix D



Bluetooth® dongle 409093
 Clinician's manual 938317S

Elan battery charger kit 409087E
Includes:
 Battery charger 950215
 Battery charger adapter (UK) 950103
 Battery charger adapter (USA) 950104
 Battery charger adapter (EURO) 950105
 Charger adapter cable 409091

Elan comms kit 406431E
Includes:
 External USB **Bluetooth®** adapter 950129
 Comms cable (USB to TTL) 950928
 Comms cable adapter 409078
 Interface cable
 (micro D to comms cable adapter) 409084
 Elan software USB fob 406413E

Build part numbers are for assembly guidance only and may not be for sale separately.

Microprocessor-controlled hydraulic ankle/foot for terrain response and speed control.

Élan

Features

- Microprocessor controlled self-aligning plantar flexion and dorsiflexion
- Standing support mode increases resistance when stationary to help improve balance, stability, reduce effort and encourage a more natural posture
- Variable response to speed changes
- Increased plantar flexion resistance allows for more energy storage and return when walking quickly or up slopes
- Ankle remains dorsiflexed during swing phase to increase toe clearance and reduce risk of trips and falls
- Batteries contained within ankle
- Increased dorsiflexion resistance provides a brake when walking down slopes for improved safety and stability
- Sandal Toe Foot Shell

Foot Shell and Glide Sock included.



Specifications

Max. User Weight:	125kg*
Activity Level:	(2), 3, (4**)
Size Range:	22cm-30cm
Component Weight:	920g†
Build Height:	170mm sizes 22-26 175mm sizes 27-30
Heel Height:	10mm

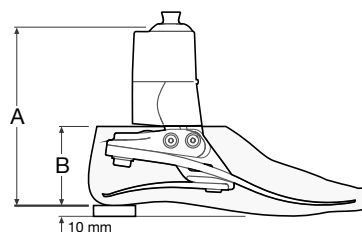


Order Example

Product Code	Size	Side	Width*	Spring Set	Sandal Toe
ELAN	25	L	N	3	S

*Narrow (N) and Wide (W) available for sizes 25-28 only. □
For dark tone add suffix D.
Example: foot size 25, left, narrow, spring rating 3, sandal toe.

Build Height



Sizes	A	B
22-26	170mm	65mm
27-28	175mm	70mm
29-30	175mm	75mm

Accessories

Alignment Wedge	940093	
Spare Battery Charger Kit	409087E	
Programming Tablet	019179	

Activity Level 2 and 4** users who would benefit from this foot will require softer or stiffer springs as appropriate for the individual. Refer to Instructions for Use for further information.
Spring set recommendations are for trans-tibial users. For trans-femoral we suggest selecting a spring set one level lower.

Activity
3

User Weight

44-52	53-59	60-68	69-77	78-88	89-100	101-116	117-125	kg
100-115	116-130	131-150	151-170	171-195	196-220	221-255	256-275	lbs

1	2	3	4	5	6	7	8	Spring set
---	---	---	---	---	---	---	---	------------



**Maximum user weight 100 kg and always use one higher spring rate category than shown in Spring selection table.
†Component weight shown is for a size 26cm without foot shell.

Elan^{IC} Schematics

1 Spring Kits:

Foot Size	Foot Size	Foot Size	Foot Size
22-24	25-26	27-28	29-30
Set 1 - 539801S	Set 1 - 539810S	Set 1 - 539819S	Set 1 - 539828S
Set 2 - 539802S	Set 2 - 539811S	Set 2 - 539820S	Set 2 - 539829S
Set 3 - 539803S	Set 3 - 539812S	Set 3 - 539821S	Set 3 - 539830S
Set 4 - 539804S	Set 4 - 539813S	Set 4 - 539822S	Set 4 - 539831S
Set 5 - 539805S	Set 5 - 539814S	Set 5 - 539823S	Set 5 - 539832S
Set 6 - 539806S	Set 6 - 539815S	Set 6 - 539824S	Set 6 - 539833S
Set 7 - 539807S	Set 7 - 539816S	Set 7 - 539825S	Set 7 - 539834S
Set 8 - 539808S	Set 8 - 539817S	Set 8 - 539826S	Set 8 - 539835S

2 Glide Sock:

Size 22-26	531011
Size 27-30	532811

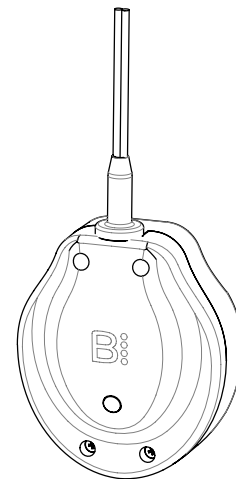
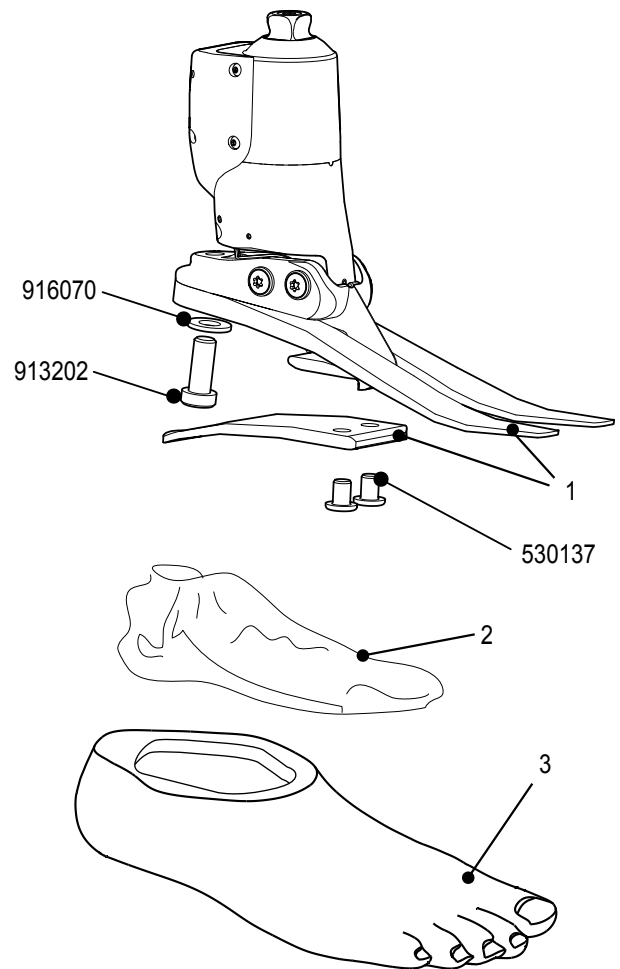
3 Foot Shells:*

Foot size Left/Right	Narrow	Wide
22L	539038S	-
22R	539039S	-
23L	539040S	-
23R	539041S	-
24L	539042S	-
24R	539043S	-
25L	539044SN	539044SW
25R	539045SN	539045SW
26L	539046SN	539046SW
26R	539047SN	539047SW
27L	539048SN	539048SW
27R	539049SN	539049SW
28L	539050SN	539050SW
28R	539051SN	539051SW
29L	-	539052S
29R	-	539053S
30L	-	539054S
30R	-	539055S

*For dark tone add suffix D

Battery Charger Adaptor - UK	950185
Battery Charger Adaptor - US	950184
Battery Charger Adaptor - Europe	950183
Battery Charger Adaptor - Australia	950186
External USB Bluetooth [®] Adaptor	950129
IC Battery Charger Kit	409087IC

Instructions for use	938438
----------------------	--------



Echelon^{VAC} Schematics

1 Spring Kits:

Foot Size	Foot Size	Foot Size	Foot Size
22-24	25-26	27-28	29-30
Set 1 - 539801S	Set 1 - 539810S	Set 1 - 539819S	Set 1 - 539828S
Set 2 - 539802S	Set 2 - 539811S	Set 2 - 539820S	Set 2 - 539829S
Set 3 - 539803S	Set 3 - 539812S	Set 3 - 539821S	Set 3 - 539830S
Set 4 - 539804S	Set 4 - 539813S	Set 4 - 539822S	Set 4 - 539831S
Set 5 - 539805S	Set 5 - 539814S	Set 5 - 539823S	Set 5 - 539832S
Set 6 - 539806S	Set 6 - 539815S	Set 6 - 539824S	Set 6 - 539833S
Set 7 - 539807S	Set 7 - 539816S	Set 7 - 539825S	Set 7 - 539834S
Set 8 - 539808S	Set 8 - 539817S	Set 8 - 539826S	Set 8 - 539835S

2 Glide Sock:

Size 22-26	531011
Size 27-30	532811

3 Foot Shells:*

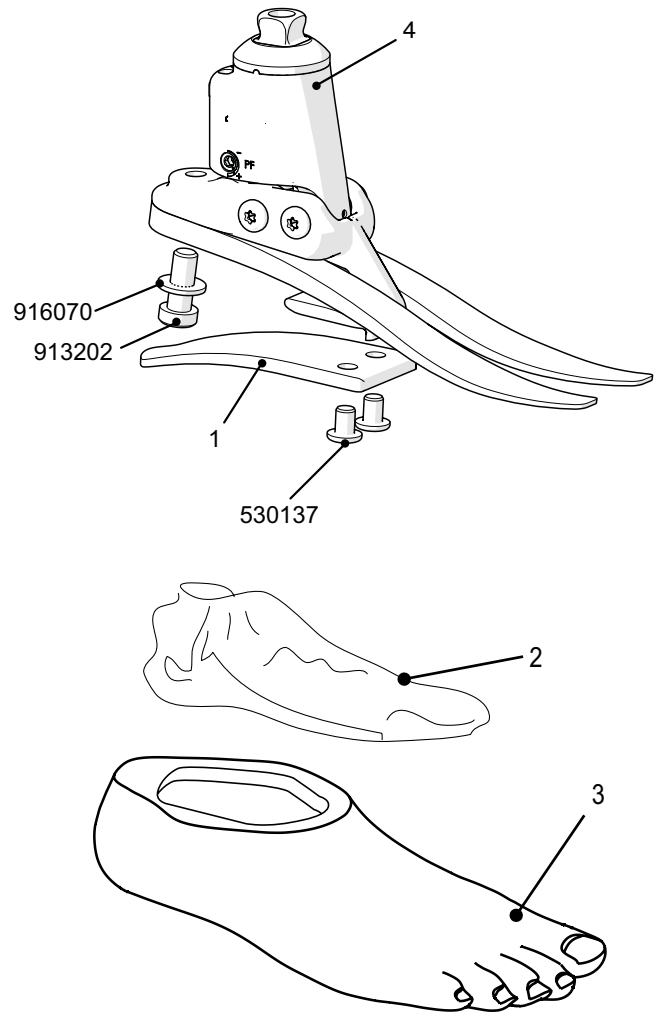
Foot size Left/Right	Narrow	Wide
22L	539038S	-
22R	539039S	-
23L	539040S	-
23R	539041S	-
24L	539042S	-
24R	539043S	-
25L	539044SN	539044SW
25R	539045SN	539045SW
26L	539046SN	539046SW
26R	539047SN	539047SW
27L	539048SN	539048SW
28L	539050SN	539050SW
28R	539051SN	539051SW
28R	-	539051S
29L	-	539052S
29R	-	539053S
30L	-	539054S
30R	-	539055S

*For dark tone add suffix D

4 Carrier Assembly

Size	
Small: 22-24	409263VAC
Medium: 25-26	409363VAC
Large: 27-30	409463VAC

Instructions for use 938367S



Build part numbers are for assembly guidance only and may not be for sale separately.

Hydraulic ankle technology paired with an elevated vacuum system for a secure and comfortable socket connection.

Echelon^{VAC}

Features

- Biomimetic Hydraulic Technology with integrated elevated vacuum
- Walking motion generates a natural vacuum
- No power required, quiet gentle operation
- Lightweight, compact design
- Low build height
- E-carbon springs for efficient energy return
- Split toe design for ground compliance on uneven terrain
- Sandal Toe Foot Shell

Foot Shell and Glide Sock included.



Specifications

Max. User Weight:	125kg
Activity Level:	(2), 3, (4*)
Size Range:	22-30cm
Component Weight:	700g [†]
Maximum Vacuum:	17" Hg
Build Height:	121mm sizes 22-24 126mm sizes 25-26 131mm sizes 27-30
Heel Height:	10mm



Suitable for outdoor use

Order Example

Product Code	Size	Side	Width*	Spring Set	Sandal Toe
EVAC	25	L	N	3	S

*Narrow (N) and Wide (W) available for sizes 25-28 only. □
For dark tone add suffix D.
Example: foot size 25, left, narrow, spring rating 3, sandal toe.

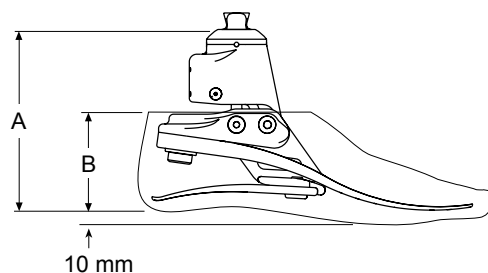
Accessories

Valves recommended for use with EchelonVAC can be found on page 124.

Alignment Wedge	940093
DF/PF Adjuster Key	940236
Socket Connection Kit	409663
Check Valve Service Kit	409863



Build Height



Size	A	Size	B
22-24	121 mm	22-26	65 mm
25-26	126 mm	27-28	70 mm
27-30	131 mm	29-30	75 mm

Activity Level 2 and 4* users who would benefit from this foot will require softer or stiffer springs as appropriate for the individual. Refer to Instructions for Use for further information.

Spring set recommendations are for trans-tibial users. For trans-femoral we suggest selecting a spring set one level lower.

Activity
3

User Weight

44-52	53-59	60-68	69-77	78-88	89-100	101-116	117-125	kg
100-115	116-130	131-150	151-170	171-195	196-220	221-255	256-275	lbs

1	2	3	4	5	6	7	8
---	---	---	---	---	---	---	---

Spring set

*Maximum user weight 100 kg and always use one higher spring rate category than shown in Spring selection table.
[†]Component weight shown is for a size 26cm without foot shell.



Echelon^{VT} Schematics

1 Spring Kits:

Foot Size	Foot Size	Foot Size	Foot Size
22-24	25-26	27-28	29-30
Set 1 - 539801S	Set 1 - 539810S	Set 1 - 539819S	Set 1 - 539828S
Set 2 - 539802S	Set 2 - 539811S	Set 2 - 539820S	Set 2 - 539829S
Set 3 - 539803S	Set 3 - 539812S	Set 3 - 539821S	Set 3 - 539830S
Set 4 - 539804S	Set 4 - 539813S	Set 4 - 539822S	Set 4 - 539831S
Set 5 - 539805S	Set 5 - 539814S	Set 5 - 539823S	Set 5 - 539832S
Set 6 - 539806S	Set 6 - 539815S	Set 6 - 539824S	Set 6 - 539833S
Set 7 - 539807S	Set 7 - 539816S	Set 7 - 539825S	Set 7 - 539834S
Set 8 - 539808S	Set 8 - 539817S	Set 8 - 539826S	Set 8 - 539835S

2 Glide Sock:

Size 22-26	531011
Size 27-30	532811

3 Foot Shells:*

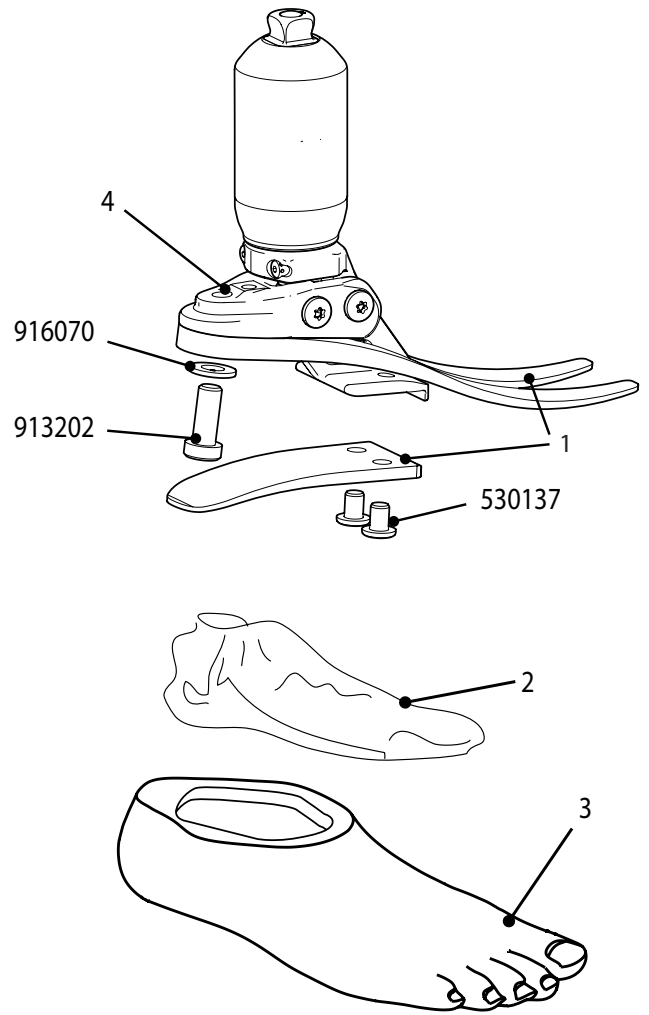
Foot size Left/Right	Narrow	Wide
22L	539038S	-
22R	539039S	-
23L	539040S	-
23R	539041S	-
24L	539042S	-
24R	539043S	-
25L	539044SN	539044SW
25R	539045SN	539045SW
26L	539046SN	539046SW
26R	539047SN	539047SW
27L	539048SN	539048SW
27R	539049SN	539049SW
28L	539050SN	539050SW
28R	539051SN	539051SW
29L	-	539052S
29R	-	539053S
30L	-	539054S
30R	-	539055S

*For dark tone add suffix D

4 Carrier assembly

Size	Rate			
	1	2	3	4
Small: 22, 23 & 24	539062	539063	539064	539065
Medium: 25 & 26	539066	539067	539068	539069
Large: 27 to 30	539070	539071	539072	539073

Instructions for use 938315S



Biomimetic hydraulic ankle/foot with shock absorber, rotation and split toe for terrain conformance.

Echelon^{VT}

Features

- Hydraulic control of dorsiflexion and plantar flexion
- Dorsi-flexed toe for swing phase
- Rotation and vertical shock absorption
- Tripod action for conformance and vertical compliance
- Smooth hydraulic and spring action
- Slimline foot design
- Responsive e-carbon foot springs
- Sandal Toe Foot Shell

Foot Shell and Glide Sock included.



Specifications

Max. Amputee weight:	125kg
Activity Level:	(2), 3, (4*)
Size Range:	22cm-30cm
Component Weight:	855g [†]
Build Height:	168mm sizes 22-24 173mm sizes 25-26 178mm sizes 27-30
Heel Height:	10mm

Suitable for outdoor use

Order Example

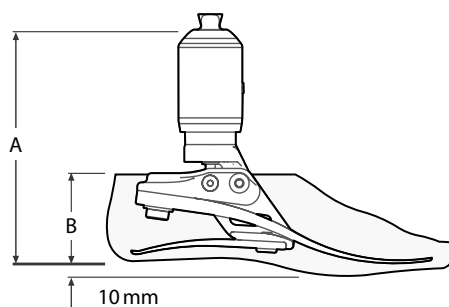
Product Code	Size	Side	Width*	Spring Set	Axial Spring	Sandal Toe
ECVT	25	L	N	5	3	S

*Narrow (N) and Wide (W) available for sizes 25-28 only.[□]
 For dark tone add suffix D.
 Example: foot size 25, left, narrow, spring rating 5, axial spring 3, sandal toe

Accessories

Alignment Wedge	940093	
Foot Shell Cover	539096	

Build Height



Size	A	Size	B
22-24	168 mm	22-26	65 mm
25-26	173 mm	27-28	70 mm
27-30	178 mm	29-30	75 mm

Activity	User Weight								Foot spring set
	44-52	53-59	60-68	69-77	78-88	89-100	101-116	117-125	
	100-115	116-130	131-150	151-170	171-195	196-220	221-255	256-275	kg
3	1	2	3	4	5	6	7	8	lbs
		•	••	•••	••••	•••••	••••••	•••••••	◀ Axial shock spring rate indicated as shown
	1		2		3		4		◀ Axial spring

[□]Maximum user weight 100 kg and always use one higher spring rate category than shown in Spring selection table.
[†]Component weight shown is for a size 26cm without foot shell.



Echelon

1 Spring Kits

Foot Size	Foot size	Foot size	Foot size
22-24	25-26	27-28	29-30
Set 1 - 539801S	Set 1 - 539810S	Set 1 - 539819S	Set 1 - 539828S
Set 2 - 539802S	Set 2 - 539811S	Set 2 - 539820S	Set 2 - 539829S
Set 3 - 539803S	Set 3 - 539812S	Set 3 - 539821S	Set 3 - 539830S
Set 4 - 539804S	Set 4 - 539813S	Set 4 - 539822S	Set 4 - 539831S
Set 5 - 539805S	Set 5 - 539814S	Set 5 - 539823S	Set 5 - 539832S
Set 6 - 539806S	Set 6 - 539815S	Set 6 - 539824S	Set 6 - 539833S
Set 7 - 539807S	Set 7 - 539816S	Set 7 - 539825S	Set 7 - 539834S
Set 8 - 539808S	Set 8 - 539817S	Set 8 - 539826S	Set 8 - 539835S

2 Glide Sock:

Size 22-26	531011
Size 27-30	532811

3 Foot Shells:*

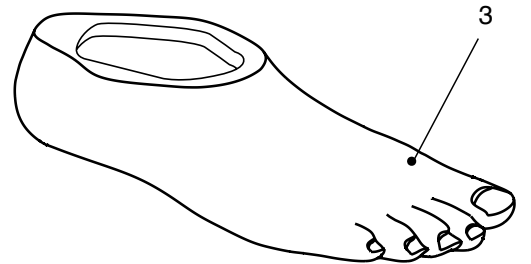
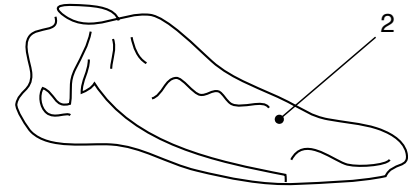
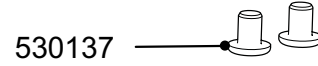
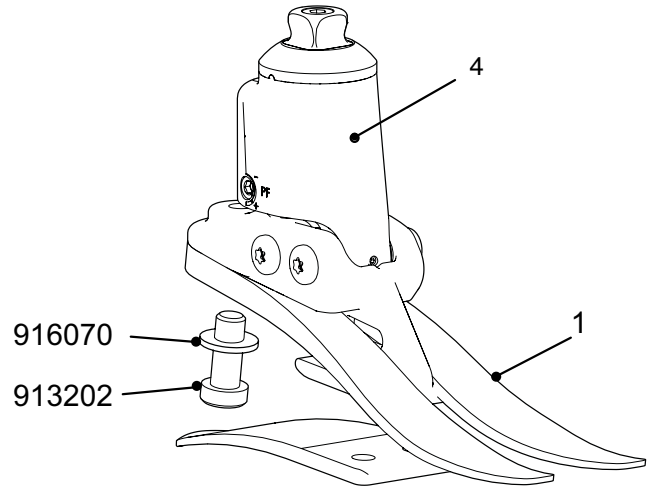
Foot size Left/Right	Narrow	Wide
22L	539038S	-
22R	539039S	-
23L	539040S	-
23R	539041S	-
24L	539042S	-
24R	539043S	-
25L	539044SN	539044SW
25R	539045SN	539045SW
26L	539046SN	539046SW
26R	539047SN	539047SW
27L	539048SN	539048SW
27R	539049SN	539049SW
28L	539050SN	539050SW
28R	539051SN	539051SW
29L	-	539052S
29R	-	539053S
30L	-	539054S
30R	-	539055S

*For dark tone add suffix D

4 Carrier Assembly:

Small 22-24	409263
Medium 25-26	409363
Large 27-30	409463

Instructions for use 938280S



Biomimetic hydraulic ankle control and split toe for stability on uneven or sloping terrain.

Echelon

Features

- Independent hydraulic control of plantar and dorsiflexion
- Biomimetic design simulates natural ankle motion
- Toe up for swing through clearance
- Natural toe position for sitting
- e-carbon heel and toe springs
- Elegant and compact for cosmetic finish
- Sandal Toe Foot Shell

Foot Shell and Glide Sock included.



Specifications

Max. User Weight:	125kg
Activity Level:	(2), 3, (4*)
Size Range:	22cm-30cm
Component Weight:	688g†
Build Height:	115mm sizes 22-24 120mm sizes 25-26 125mm sizes 27-30
Heel Height:	10mm



Order Example

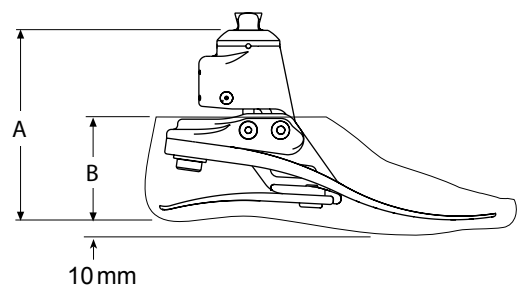
Product Code	Size	Side	Width*	Spring Set	Sandal Toe
EC	25	L	N	3	S

*Narrow (N) and Wide (W) available for sizes 25-28 only. □
For dark tone add suffix D.
Example: foot size 25, left, narrow, spring rating 3, sandal toe.

Accessories

Alignment Wedge **940093**

Build Height



Size	A	Size	B
22-24	115mm	22-26	65mm
25-26	120mm	27-28	70mm
27-30	125mm	29-30	75mm

Activity Level 2 and 4* users who would benefit from this foot will require softer or stiffer springs as appropriate for the individual. Refer to Instructions for Use for further information. Spring set recommendations are for trans-tibial users. For trans-femoral we suggest selecting a spring set one level lower.

Activity
3

User Weight

44-52	53-59	60-68	69-77	78-88	89-100	101-116	117-125	kg
100-115	116-130	131-150	151-170	171-195	196-220	221-255	256-275	lbs

1	2	3	4	5	6	7	8
---	---	---	---	---	---	---	---

Spring set

*Maximum user weight 100kg and always use one higher spring rate category than shown in the Spring Set Selection table.
†Component weight shown is for a size 26cm without foot shell.



Echelon^{ER} Schematics

1 Spring Kits:

Foot Size	Foot Size	Foot Size	Foot Size
22-24	25-26	27-28	29-30
Set 1 - 539801S	Set 1 - 539810S	Set 1 - 539819S	Set 1 - 539828S
Set 2 - 539802S	Set 2 - 539811S	Set 2 - 539820S	Set 2 - 539829S
Set 3 - 539803S	Set 3 - 539812S	Set 3 - 539821S	Set 3 - 539830S
Set 4 - 539804S	Set 4 - 539813S	Set 4 - 539822S	Set 4 - 539831S
Set 5 - 539805S	Set 5 - 539814S	Set 5 - 539823S	Set 5 - 539832S
Set 6 - 539806S	Set 6 - 539815S	Set 6 - 539824S	Set 6 - 539833S
Set 7 - 539807S	Set 7 - 539816S	Set 7 - 539825S	Set 7 - 539834S
Set 8 - 539808S	Set 8 - 539817S	Set 8 - 539826S	Set 8 - 539835S

2 Glide Sock:

Size 22-26	531011
Size 27-30	532811

3 Foot Shells:*

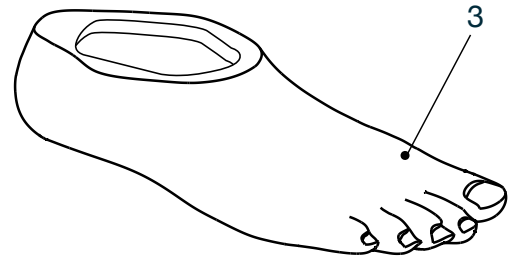
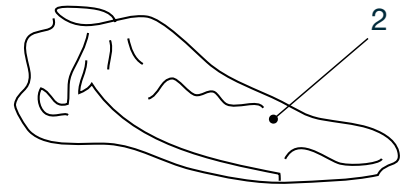
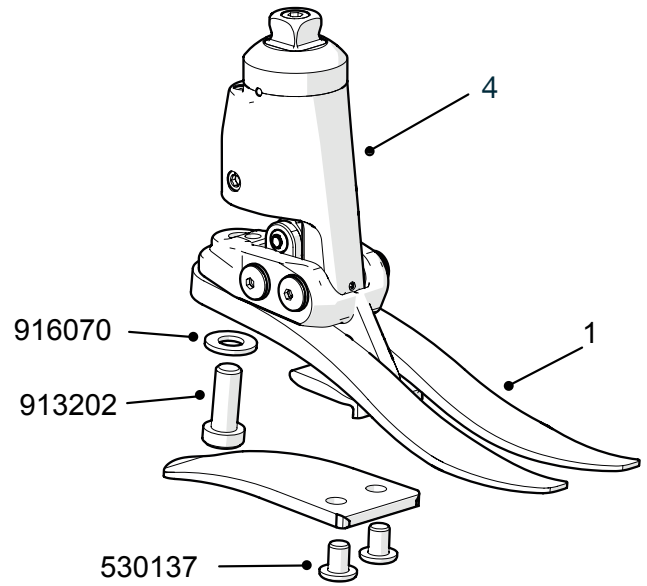
Foot size Left/Right	Narrow	Wide
22L	539038S	-
22R	539039S	-
23L	539040S	-
23R	539041S	-
24L	539042S	-
24R	539043S	-
25L	539044SN	539044SW
25R	539045SN	539045SW
26L	539046SN	539046SW
26R	539047SN	539047SW
27L	539048SN	539048SW
27R	539049SN	539049SW
28L	539050SN	539050SW
28R	539051SN	539051SW
29L	-	539052S
29R	-	539053S
30L	-	539054S
30R	-	539055S

*For dark tone add suffix D

4 Carrier Assembly

Small 22-24	409263ER
Medium 25-26	409363ER
Large 27-30	409463ER

EchelonER Instructions for Use 938449



Biomimetic hydraulic ankle with an extended range of ankle movement for increased stability on uneven and sloping terrain.

Echelon^{ER}

Features

- Unique and proven Echelon Technology
- Increased range of movement – 25° compared to Echelon’s 9°
- Improved flexibility of footwear choice and the option of barefoot walking
- More natural and comfortable sitting position
- Robust and waterproof design
- Easier and more stable standing and sitting
- Specially designed pyramid interface to allow water to escape from within the tube
- Sandal Toe Foot Shell

Foot Shell and Glide Sock included.

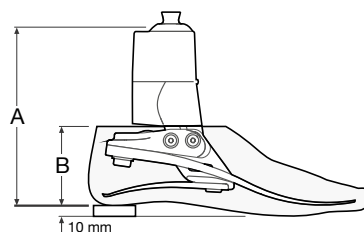


Specifications

Max. User Weight:	125kg*
Activity Level:	(2), 3, (4**)
Size Range:	22cm-30cm
Component Weight:	770g†
Build Height:	142mm sizes 22-24 147mm sizes 25-26 152mm sizes 27-30
Heel Height:	10mm



Build Height



	Size A	Size B
22-24	142mm	22-26 65mm
25-26	147mm	27-28 70mm
27-30	152mm	29-30 75mm

Order Example

Product Code	Size	Side	Width*	Spring Set	Sandal Toe
ECER	25	L	N	3	S

*Narrow (N) and Wide (W) available for sizes 25-28 only. □
For dark tone add suffix D.
Example: foot size 25, left, narrow, spring rating 3, sandal toe.

Accessories

Instructions for Use	938449	
User Guide	938450	
Alignment Wedge	940093	
DF/PF Adjuster Key	940236	

Activity Level 2 and 4** users who would benefit from this foot will require softer or stiffer springs as appropriate for the individual. Refer to Instructions for Use for further information.
Spring set recommendations are for trans-tibial users. For trans-femoral we suggest selecting a spring set one level lower.

Activity
3

User Weight

44-52	53-59	60-68	69-77	78-88	89-100	101-116	117-125	kg
100-115	116-130	131-150	151-170	171-195	196-220	221-255	256-275	lbs

1	2	3	4	5	6	7	8	Spring set
---	---	---	---	---	---	---	---	------------



**Maximum user weight 100 kg and always use one higher spring rate category than shown in Spring selection table.
†Component weight shown is for a size 26cm without foot shell.

Elite² Schematics

1 Spring Kits

Foot Size	Foot Size	Foot Size	Foot Size
22-24	25-26	27-28	29-30
Set 1 - 539701S	Set 1 - 539710S	Set 1 - 539719S	Set 1 - Special
Set 2 - 539702S	Set 2 - 539711S	Set 2 - 539720S	Set 2 - Order only
Set 3 - 539703S	Set 3 - 539712S	Set 3 - 539721S	Set 3 - 539730S
Set 4 - 539704S	Set 4 - 539713S	Set 4 - 539722S	Set 4 - 539731S
Set 5 - 539705S	Set 5 - 539714S	Set 5 - 539723S	Set 5 - 539732S
Set 6 - 539706S	Set 6 - 539715S	Set 6 - 539724S	Set 6 - 539733S
Set 7 - 539707S	Set 7 - 539716S	Set 7 - 539725S	Set 7 - 539734S
Set 8 - 539708S	Set 8 - 539717S	Set 8 - 539726S	Set 8 - 539735S
Set 9 - -	Set 9 - 539718S	Set 9 - 539727S	Set 9 - 539736S

2 Glide Sock

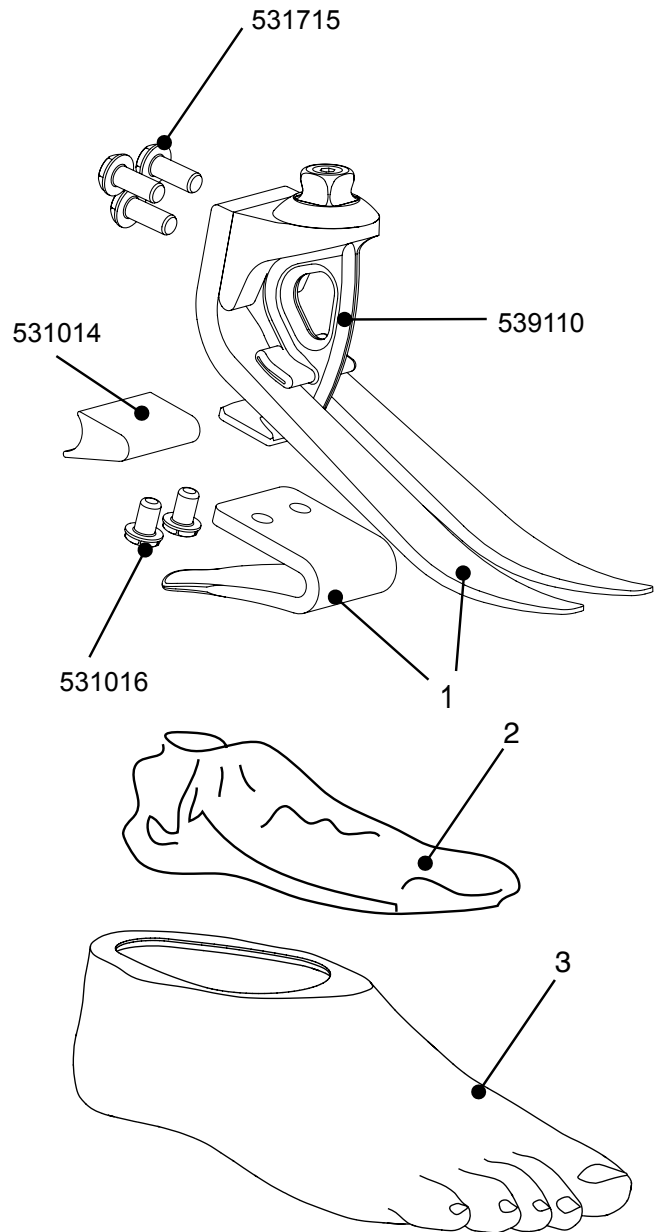
Size 22-26	531011
Size 27-30	532811

3 Foot Shells:*

Foot size Left/Right	Narrow	Wide
22L	539038S	-
22R	539039S	-
23L	539040S	-
23R	539041S	-
24L	539042S	-
24R	539043S	-
25L	539044SN	539044SW
25R	539045SN	539045SW
26L	539046SN	539046SW
26R	539047SN	539047SW
27L	539048SN	539048SW
27R	539049SN	539049SW
28L	539050SN	539050SW
28R	539051SN	539051SW
29L	-	539052S
29R	-	539053S
30L	-	539054S
30R	-	539055S

*For dark tone add suffix D

Instructions for use 938223S



Build part numbers are for assembly guidance only and may not be for sale separately.

Lightweight activity foot for efficient energy return.

Elite²

Features

- Enhanced e-carbon foot springs
- Ground compliance from Tripod System™
- Split toe
- Lightweight design
- Variable spring stiffness heel wedge
- Low build height and easy to finish
- Sandal Toe Foot shell

Foot Shell and Glide Sock included.



Specifications

Max. User Weight:	166kg
Activity Level:	(2), 3, 4
Size Range:	22cm-30cm
Component Weight:	420g†
Build Height:	130mm
Heel Height:	10mm



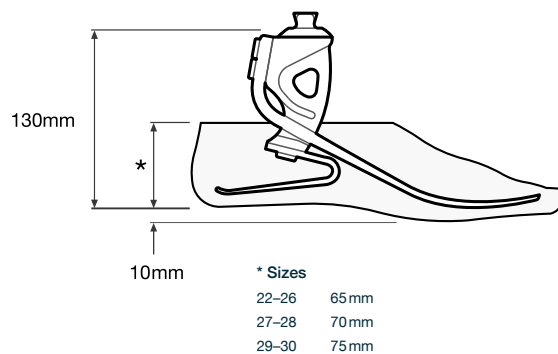
Suitable for submersion

Order Example

Product Code	Size	Side	Width*	Spring Set	Sandal Toe
EL	25	L	N	5	S

*Narrow (N) and Wide (W) available for sizes 25-28 only.†
For dark tone add suffix D. Foot example: Elite2, size 25, left, narrow, spring rating 5, sandal toe.

Build Height



Impact Activity	User Weight	Foot spring set									
		44-52	53-59	60-68	69-77	78-88	89-100	101-116	117-130	131-147	148-166 kg
Low 3	100-115	116-130	131-150	151-170	171-195	196-220	221-255	256-285	286-325	326-365 lbs	
Mod 4	1	2	3	4	5	6	7	8	9	-	
High 4	2	3	4	5	6	7	8	9	-	-	

Spring set recommendations are for trans-tibial users. For trans-femoral use we suggest selecting a spring set one level lower.

†Component weight shown is for a size 26cm without foot shell.

Elite^{VT} Schematics

1 Spring Kits

Foot Size	Foot Size	Foot Size	Foot Size
22-24	25-26	27-28	29-30
Set 1 - 539701S	Set 1 - 539710S	Set 1 - 539719S	Set 1 - Special
Set 2 - 539702S	Set 2 - 539711S	Set 2 - 539720S	Set 2 - Order only
Set 3 - 539703S	Set 3 - 539712S	Set 3 - 539721S	Set 3 - 539730S
Set 4 - 539704S	Set 4 - 539713S	Set 4 - 539722S	Set 4 - 539731S
Set 5 - 539705S	Set 5 - 539714S	Set 5 - 539723S	Set 5 - 539732S
Set 6 - 539706S	Set 6 - 539715S	Set 6 - 539724S	Set 6 - 539733S
Set 7 - 539707S	Set 7 - 539716S	Set 7 - 539725S	Set 7 - 539734S
Set 8 - 539708S	Set 8 - 539717S	Set 8 - 539726S	Set 8 - 539735S
Set 9 - -	Set 9 - 539718S	Set 9 - 539727S	Set 9 - 539736S

2 Glide Sock

Size 22-26	531011
Size 27-30	532811

3 Foot Shells:*

Foot size	Left/Right	Narrow	Wide
22L	539038S	-	
22R	539039S	-	
23L	539040S	-	
23R	539041S	-	
24L	539042S	-	
24R	539043S	-	
25L	539044SN	539044SW	
25R	539045SN	539045SW	
26L	539046SN	539046SW	
26R	539047SN	539047SW	
27L	539048SN	539048SW	
27R	539049SN	539049SW	
28L	539050SN	539050SW	
28R	539051SN	539051SW	
29L	-	539052S	
29R	-	539053S	
30L	-	539054S	
30R	-	539055S	

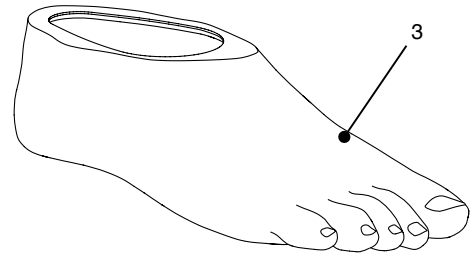
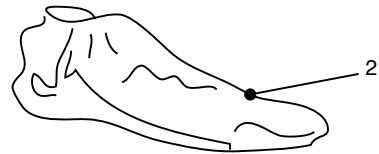
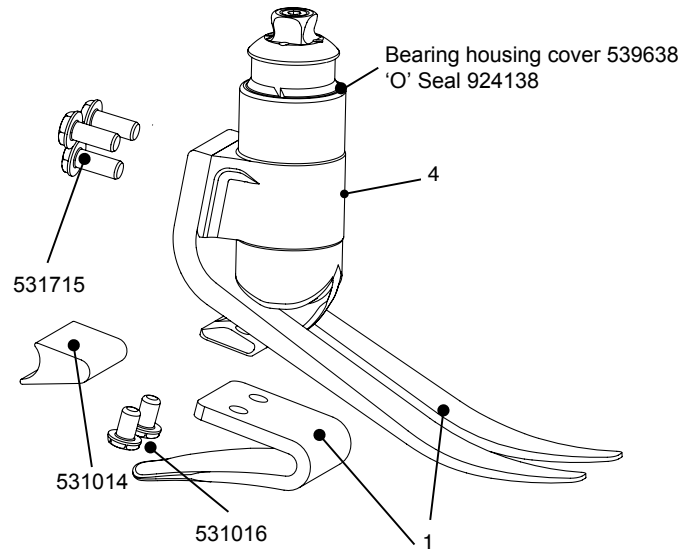
*For dark tone add suffix D

4 Carrier assembly

Axial Shock Springs (not shown)

Rate 1 - 539138	Rate 1 - 539058
Rate 2 - 539238	Rate 2 - 539059
Rate 3 - 539338	Rate 3 - 539060
Rate 4 - 539438	Rate 4 - 539061

Instructions for use 938289S



Active foot with integral shock absorption, rotation and flexibility.

Elite^{VT}

Features

- Precision titanium spring for vertical compression and axial rotation
- Progressive response to axial loading
- Controlled and efficient energy return
- Independent e-carbon foot springs
- Variable spring stiffness heel wedge
- Compact, low maintenance and cosmetic
- Sandal Toe Foot shell

Foot Shell and Glide Sock included.



Specifications

Max. User Weight:	166kg
Activity Level:	3-4
Max. Rotation:	+/-15deg
Size Range:	22cm-30cm
Component Weight:	750g [†]
Build Height:	170mm
Heel Height:	10mm



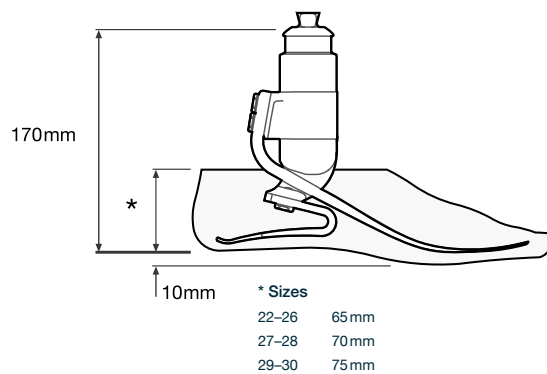
Suitable for outdoor use

Order Example

Product Code	Size	Side	Width*	Spring Set	Shock Spring	Sandal Toe
EVT	25	L	N	7	3	S

*Narrow (N) and Wide (W) available for sizes 25-28 only.[□]
 For dark tone add suffix D. Foot example: EliteVT, size 25, left, narrow, spring set 7, shock spring 3, sandal toe.

Build Height



Impact Activity	User Weight										Foot spring set
	44-52 100-115	53-59 116-130	60-68 131-150	69-77 151-170	78-88 171-195	89-100 196-220	101-116 221-255	117-130 256-285	131-147 286-325	148-166 326-365	
Low 3	1	1	2	3	4	5	6	7	8	9	4 3
Mod 4	1	2	3	4	5	6	7	8	9	-	
High 4	2	3	4	5	6	7	8	9	-	-	
Spring set recommendations are for trans-tibial users. For trans-femoral use we suggest selecting a spring set one level lower.		♣ 1	♣ 2	♣ 3	♣ 4						

[†]Component weight shown is for a size 26cm without foot shell.

Epirus Schematics

1 Spring Kits

Foot Size	Foot Size	Foot Size	Foot Size
22-24	25-26	27-28	29-30
Set 1 - 539801S	Set 1 - 539810S	Set 1 - 539819S	Set 1 - 539828S
Set 2 - 539802S	Set 2 - 539811S	Set 2 - 539820S	Set 2 - 539829S
Set 3 - 539803S	Set 3 - 539812S	Set 3 - 539821S	Set 3 - 539830S
Set 4 - 539804S	Set 4 - 539813S	Set 4 - 539822S	Set 4 - 539831S
Set 5 - 539805S	Set 5 - 539814S	Set 5 - 539823S	Set 5 - 539832S
Set 6 - 539806S	Set 6 - 539815S	Set 6 - 539824S	Set 6 - 539833S
Set 7 - 539807S	Set 7 - 539816S	Set 7 - 539825S	Set 7 - 539834S
Set 8 - 539808S	Set 8 - 539817S	Set 8 - 539826S	Set 8 - 539835S

2 Glide Sock

Sizes 22 to 26	531011
Sizes 27 to 30	532811

3 Foot Shells:*

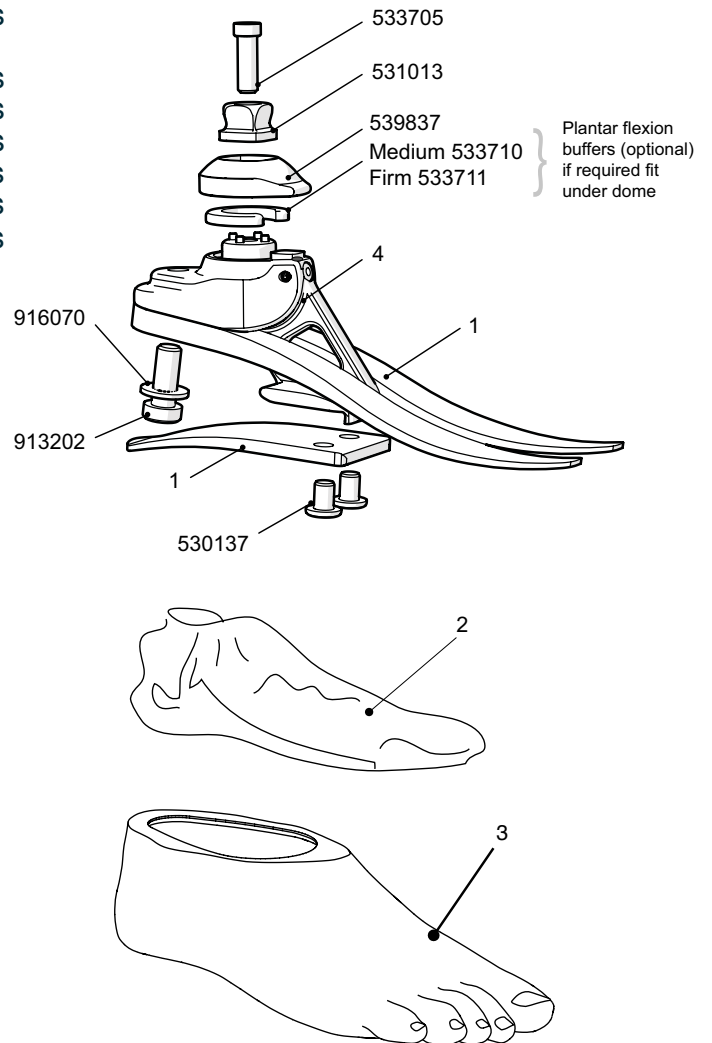
Foot size Left/Right	Narrow	Wide
22L	539038S	-
22R	539039S	-
23L	539040S	-
23R	539041S	-
24L	539042S	-
24R	539043S	-
25L	539044SN	539044SW
25R	539045SN	539045SW
26L	539046SN	539046SW
26R	539047SN	539047SW
27L	539048SN	539048SW
27R	539049SN	539049SW
28L	539050SN	539050SW
28R	539051SN	539051SW
29L	-	539052S
29R	-	539053S
30L	-	539054S
30R	-	539055S

*For dark tone add suffix D

4 Carrier Assembly

Small 22-24	539437
Medium 25-26	539537
Large 27-30	539637

Instructions for use 938276S



Build part numbers are for assembly guidance only and may not be for sale separately.

Low profile foot with ankle joint and split toe.

Epirus

Features

- Multi-axial ankle motion with tripod stability
- Independent e-carbon foot springs
- Choice of PF stiffness
- Ground compliance and energy efficient response
- Sandal Toe Foot Shell

Foot Shell and Glide Sock included.



Specifications

Max. User Weight:	125kg
Activity Level:	(2), 3, (4*)
Size Range:	22cm-30cm
Component Weight:	400g [†]
Build Height:	85mm
Heel Height:	10mm



Suitable for outdoor use

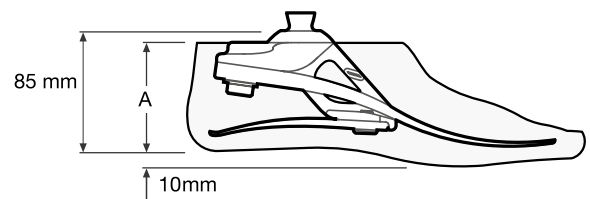
Order Example

Product Code	Size	Side	Width*	Spring Set	Sandal Toe
EP	25	L	N	3	S

*Narrow (N) and Wide (W) available for sizes 25-28 only. □
For dark tone add suffix D.

Example: foot size 25, left, narrow, spring rating 3, sandal toe.

Build Height



Size	A
22-26	65mm
27-28	70mm
29-30	75mm

Activity Level 2 and 4* users who would benefit from this foot will require softer or stiffer springs as appropriate for the individual. Refer to Instructions for Use for further information. Spring set recommendations are for trans-tibial users. For trans-femoral we suggest selecting a spring set one level lower.

Activity
3

User Weight

44-52	53-59	60-68	69-77	78-88	89-100	101-116	117-125	kg
100-115	116-130	131-150	151-170	171-195	196-220	221-255	256-275	lbs

1	2	3	4	5	6	7	8
---	---	---	---	---	---	---	---

Spring set

*Maximum user weight 100kg and always use one higher spring rate category than shown in the Spring Set Selection table.

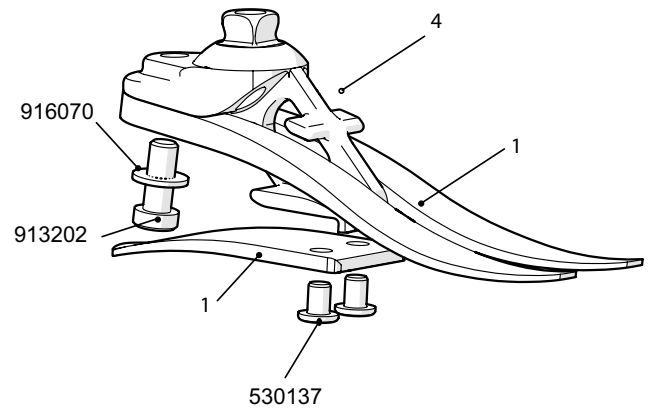
[†]Component weight shown is for a size 26cm without foot shell.



Esprit Schematics

1 Spring Kits

Foot Size	Foot Size	Foot Size	Foot Size
22-24	25-26	27-28	29-30
Set 1 - 539801S	Set 1 - 539810S	Set 1 - 539819S	Set 1 - 539828S
Set 2 - 539802S	Set 2 - 539811S	Set 2 - 539820S	Set 2 - 539829S
Set 3 - 539803S	Set 3 - 539812S	Set 3 - 539821S	Set 3 - 539830S
Set 4 - 539804S	Set 4 - 539813S	Set 4 - 539822S	Set 4 - 539831S
Set 5 - 539805S	Set 5 - 539814S	Set 5 - 539823S	Set 5 - 539832S
Set 6 - 539806S	Set 6 - 539815S	Set 6 - 539824S	Set 6 - 539833S
Set 7 - 539807S	Set 7 - 539816S	Set 7 - 539825S	Set 7 - 539834S
Set 8 - 539808S	Set 8 - 539817S	Set 8 - 539826S	Set 8 - 539835S



2 Glide Sock

Sizes 22 to 26	531011
Sizes 27 to 30	532811

3 Foot Shells:*

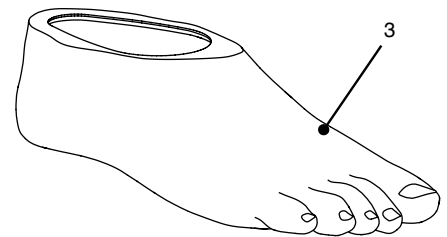
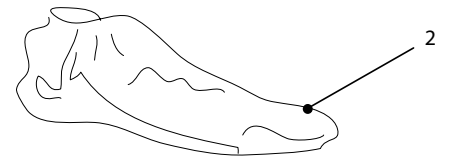
Foot size Left/Right	Narrow	Wide
22L	539038S	-
22R	539039S	-
23L	539040S	-
23R	539041S	-
24L	539042S	-
24R	539043S	-
25L	539044SN	539044SW
25R	539045SN	539045SW
26L	539046SN	539046SW
26R	539047SN	539047SW
27L	539048SN	539048SW
27R	539049SN	539049SW
28L	539050SN	539050SW
28R	539051SN	539051SW
29L	-	539052S
29R	-	539053S
30L	-	539054S
30R	-	539055S

*For dark tone add suffix D

4 Carrier Assembly

Small 22-24	539201
Medium 25-26	539210
Large 27-30	539219

Instructions for use 938264S



Low profile foot with split toe springs for energy response.

Esprit

Features

- Low profile foot with e-carbon springs
- Lightweight and easy to finish
- Tripod design with split toe
- Ideal for longer residual limbs or where additional components are required
- Sandal Toe Foot Shell

Foot Shell and Glide Sock included.



Specifications

Max. User Weight:	125kg
Activity Level:	(2), 3, (4*)
Size Range:	22cm-30cm
Component Weight:	317g†
Build Height:	65mm size 22-24 70mm size 25-26 75mm size 27-30
Heel Height:	10mm

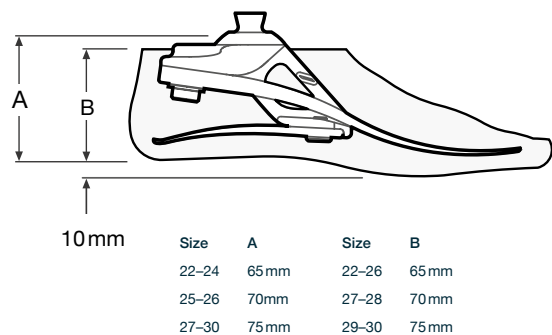


Order Example

Product Code	Size	Side	Width*	Spring Set	Sandal Toe
ESP	25	L	N	3	S

*Narrow (N) and Wide (W) available for sizes 25-28 only.□
For dark tone add suffix D.
Example: foot size 25, left, narrow, spring rating 3, sandal toe.

Build Height



Activity Level 2 and 4* users who would benefit from this foot will require softer or stiffer springs as appropriate for the individual. Refer to Instructions for Use for further information. Spring set recommendations are for trans-tibial users. For trans-femoral we suggest selecting a spring set one level lower.

Activity
3

User Weight

44-52	53-59	60-68	69-77	78-88	89-100	101-116	117-125	kg
100-115	116-130	131-150	151-170	171-195	196-220	221-255	256-275	lbs

1	2	3	4	5	6	7	8
---	---	---	---	---	---	---	---

Spring set



†Component weight shown is for a size 26cm without foot shell.

*Maximum user weight 100kg and always use one higher spring rate category than shown in the Spring Set Selection table.

Elite Blade Schematics

1 Spring Kits

Foot Size	Foot Size	Foot Size	Foot Size
22-24	25-26	27-28	29-30
Set 1 - 539901S	Set 1 - 539610S	Set 1 - 539619S	Set 1 - Special
Set 2 - 539902S	Set 2 - 539611S	Set 2 - 539620S	Set 2 - Order only
Set 3 - 539903S	Set 3 - 539612S	Set 3 - 539621S	Set 3 - 539630S
Set 4 - 539904S	Set 4 - 539613S	Set 4 - 539622S	Set 4 - 539631S
Set 5 - 539905S	Set 5 - 539614S	Set 5 - 539623S	Set 5 - 539632S
Set 6 - 539906S	Set 6 - 539615S	Set 6 - 539624S	Set 6 - 539633S
Set 7 - 539907S	Set 7 - 539616S	Set 7 - 539625S	Set 7 - 539634S
Set 8 - -	Set 8 - 539617S	Set 8 - 539626S	Set 8 - 539635S
Set 9 - -	Set 9 - 539618S	Set 9 - 539627S	Set 9 - 539636S

2 Glide Sock

Size 22-26	531011
Size 27-30	532811

3 Foot Shells:*

Foot size Left/Right	Narrow	Wide
22L	539038S	-
22R	539039S	-
23L	539040S	-
23R	539041S	-
24L	539042S	-
24R	539043S	-
25L	539044SN	539044SW
25R	539045SN	539045SW
26L	539046SN	539046SW
26R	539047SN	539047SW
27L	539048SN	539048SW
27R	539049SN	539049SW
28L	539050SN	539050SW
28R	539051SN	539051SW
29L	-	539052S
29R	-	539053S
30L	-	539054S
30R	-	539055S

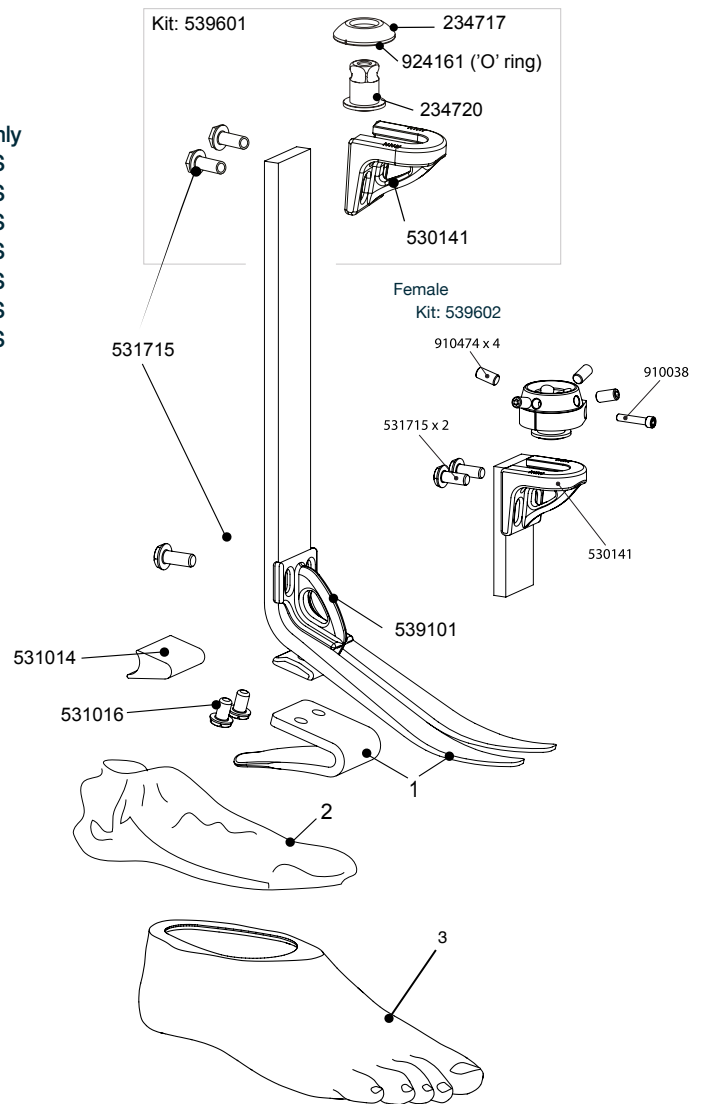
*For dark tone add suffix D

Fitting Clamp:

Elite Blade Cutting Jig 941255

Use also as cutting and drilling guide. Available separately.

Instructions For Use 938295S



Build part numbers are for assembly guidance only and may not be for sale separately.

Flexible and lightweight blade for high energy return.

Elite Blade

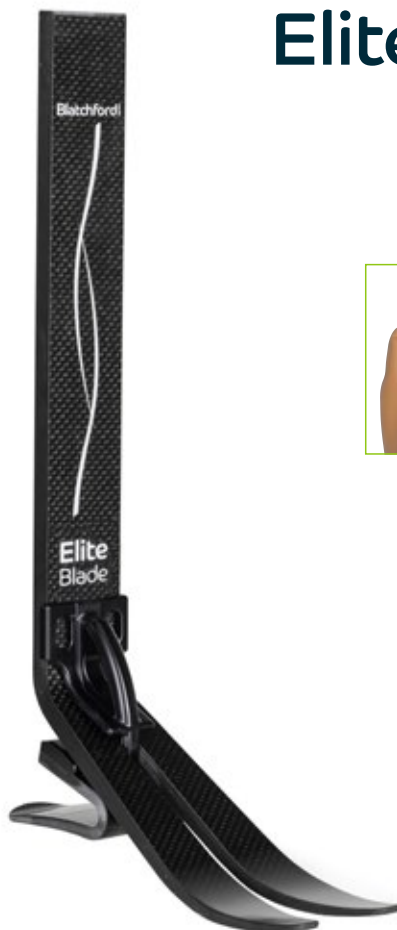
Features

- e-carbon foot with independent springs
- Lightweight with dynamic forward progression
- Spring range from low to high impact
- Variable spring stiffness heel wedge
- Male or female sliding & rotating housings
- Sandal Toe Foot shell

Foot Shell and Glide Sock included.

Specifications

Max. User Weight:	166kg
Activity Level:	3-4
Size Range:	22cm-30cm
Component Weight:	500g [†]
Build Height:	200mm - 365mm (min - max)
Heel Height:	10mm






Order Example

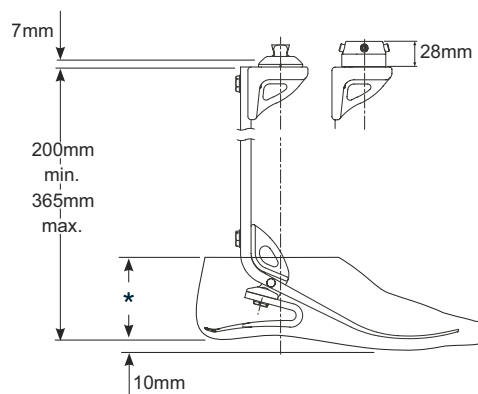
Product Code	Size	Side	Width*	Spring Set	Sandal Toe	+ Top Housing
EB	25	L	N	5	S	539601: Blade top housing TT male - sliding & rotating 539602: Blade top housing TT female - sliding & rotating

*Narrow (N) and Wide (W) available for sizes 25-28 only.[□]
For dark tone add suffix D. Foot examples: Elite Blade, size 25 left, narrow, spring rating 5, sandal toe.

Accessories

Foot Shell Cover	539087	
Top housing male	539601	
Top housing female	539602	

Build Height



* Sizes

22-26	65mm
27-28	70mm
29-30	75mm

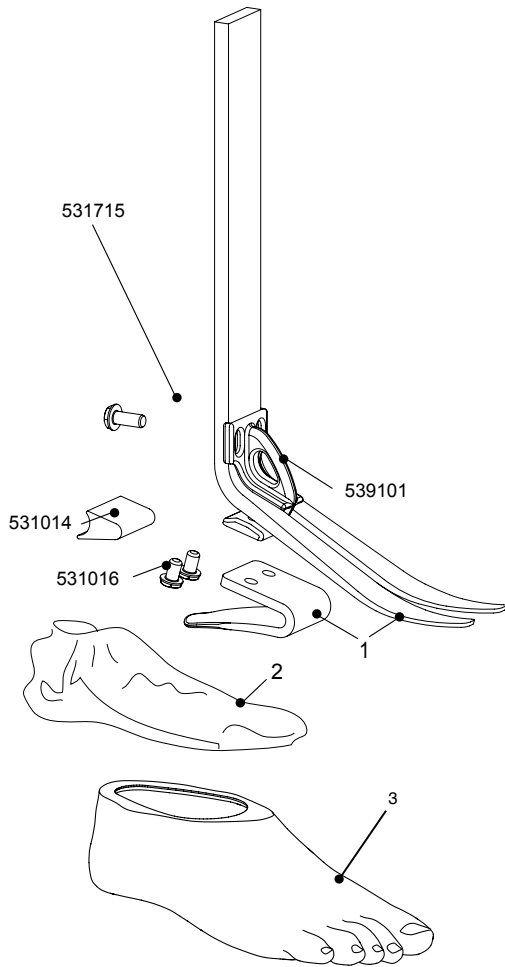
Impact Activity	User Weight											Foot spring set
	44-52 100-115	53-59 116-130	60-68 131-150	69-77 151-170	78-88 171-195	89-100 196-220	101-116 221-255	117-130 256-285	131-147 286-325	148-166 326-365	kg lbs	
Low 3	1	1	2	3	4	5	6	7	8	9		
Mod 4	1	2	3	4	5	6	7	8	9	-		
High 4	2	3	4	5	6	7	8	9	-	-		

Spring set recommendations are for trans-tibial users. For trans-femoral use we suggest selecting a spring set one level lower.

[†]Component weight shown is for a size 26cm without foot shell.



Elite Blade^{VT} Schematics



1 Spring Kits

Foot Size	Foot Size	Foot Size	Foot Size
22-24	25-26	27-28	29-30
Set 1 - 539901S	Set 1 - 539610S	Set 1 - 539619S	Set 1 - Special
Set 2 - 539902S	Set 2 - 539611S	Set 2 - 539620S	Set 2 - Order only
Set 3 - 539903S	Set 3 - 539612S	Set 3 - 539621S	Set 3 - 539630S
Set 4 - 539904S	Set 4 - 539613S	Set 4 - 539622S	Set 4 - 539631S
Set 5 - 539905S	Set 5 - 539614S	Set 5 - 539623S	Set 5 - 539632S
Set 6 - 539906S	Set 6 - 539615S	Set 6 - 539624S	Set 6 - 539633S
Set 7 - 539907S	Set 7 - 539616S	Set 7 - 539625S	Set 7 - 539634S
Set 8 - -	Set 8 - 539617S	Set 8 - 539626S	Set 8 - 539635S
Set 9 - -	Set 9 - 539618S	Set 9 - 539627S	Set 9 - 539636S

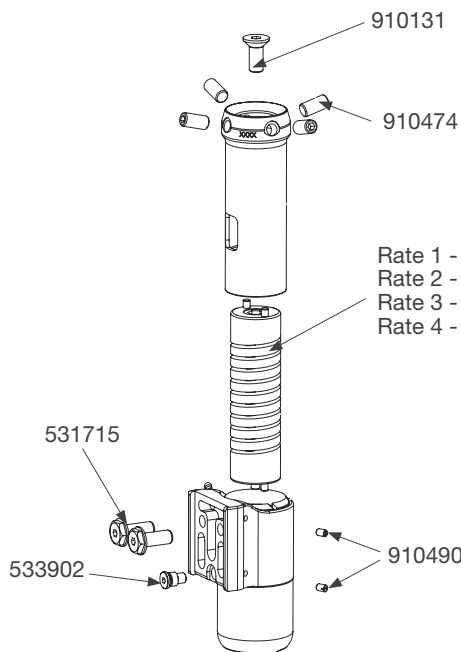
2 Glide Sock

Size 22-26	531011
Size 27-30	532811

3 Foot Shells:*

Foot size Left/Right	Narrow	Wide
22L	539038S	-
22R	539039S	-
23L	539040S	-
23R	539041S	-
24L	539042S	-
24R	539043S	-
25L	539044SN	539044SW
25R	539045SN	539045SW
26L	539046SN	539046SW
26R	539047SN	539047SW
27L	539048SN	539048SW
27R	539049SN	539049SW
28L	539050SN	539050SW
28R	539051SN	539051SW
29L	-	539052S
29R	-	539053S
30L	-	539054S
30R	-	539055S

Fitting clamp - 941255 fitting clamp for alignment and set-up.
Use also as cutting and drilling guide. Available separately



VTF

VT (male): VTM1, VTM2, VTM3, VTM4.
VT (female): VTF1, VTF2, VTF3, VTF4.
VT cutting jig - 941256

Instructions for Use:

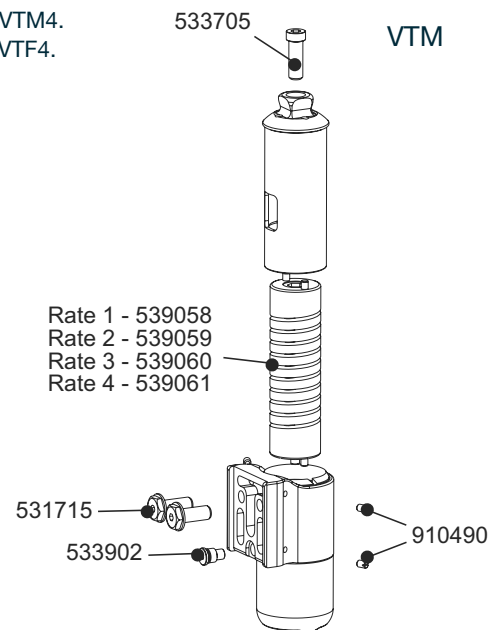
Elite Blade 938295S

VTM 938312

VTF 938319

Cutting Jig 938314

Rate 1 - 539058
Rate 2 - 539059
Rate 3 - 539060
Rate 4 - 539061



VTM

Rate 1 - 539058
Rate 2 - 539059
Rate 3 - 539060
Rate 4 - 539061

Build part numbers are for assembly guidance only and may not be for sale separately.

Flexible blade with shock absorption and rotation device.

Elite Blade^{VT}

Features

- Powerful and dynamic forward progression
- Precision machined spring for vertical compression and axial rotation
- Controlled and efficient energy return
- Independent e-carbon foot springs
- Variable spring stiffness heel wedge
- Slimline design is easy to finish
- Sandal Toe Foot shell

Foot Shell and Glide Sock included.



Specifications

Max. User Weight:	166kg
Activity Level:	3-4
Max. Rotation:	+/-15deg
Size Range:	22cm-30cm
Component Weight:	1030g [†]
Build Height VTM:	215mm - 380mm (min - max)
Build Height VTF:	233mm - 398mm (min - max)
Heel Height:	10mm



Suitable for outdoor use

Order Example

Product Code	Size	Side	Width*	Spring Selection	Sandal Toe	+	VT Component
EB	25	L	N	5	S		Male VTM1 or VTF1 Female VTM2 or VTF2 VTM3 or VTF3 VTM4 or VTF4

Please note this product will be supplied as two items.

*Narrow (N) and Wide (W) available for sizes 25-28 only.
For dark tone add suffix D. Foot example: Elite BladeVT, size 25, left, narrow, spring rating 5, sandal toe.

Accessories

Foot Shell Cover

539087



Tools



Cutting/drill & fitting jig

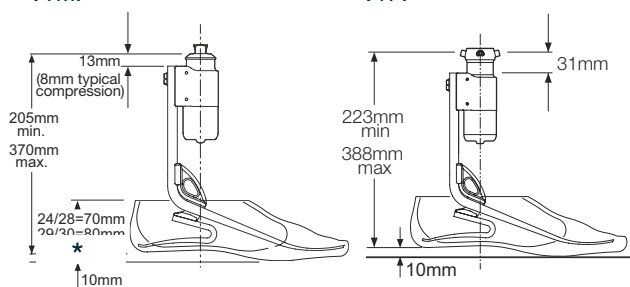
VT 941256

Blade 941255

Build Height

VTM:

VTF:



* Sizes

22-26	65 mm
27-28	70 mm
29-30	75 mm

Impact Activity	User Weight										Foot spring set
	44-52 100-115	53-59 116-130	60-68 131-150	69-77 151-170	78-88 171-195	89-100 196-220	101-116 221-255	117-130 256-285	131-147 286-325	148-166 326-365 lbs	
Low 3	1	1	2	3	4	5	6	7	8	9	
Mod 4	1	2	3	4	5	6	7	8	9	-	
High 4	2	3	4	5	6	7	8	9	-	-	
Spring set recommendations are for trans-tibial users. For trans-femoral use we suggest selecting a spring set one level lower.											



[†]Component weight shown is for a size 26cm without foot shell.

Blade^{XT} Schematics

1 BXT Heel Spring Kits

Include the overmoulded cover, fasteners and heel wedge.

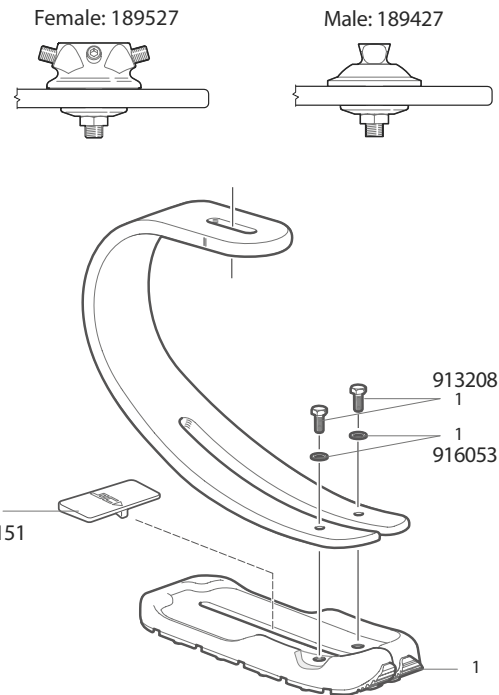
Spring Category	Heel Type	Part No.
1, 2	Soft Sports	539083SS
3, 4, 5	Medium Sports	539083MS
6, 7	Firm Sports	539083FS
8, 9	Extra Firm	539083EFS

Proximal Adapter

Male	189427
Female	189527

Instructions for use 938345

Build part numbers are for assembly guidance only and may not be for sale separately.



Sports blade with powerful twin toe spring and traction heel for postural support and grip.

Blade^{XT}

Features

- Ideal for cross training, running, bat and ball sports
- Controlled acceleration and deceleration
- Ease of alignment incl. A/P slide
- Variable spring stiffness heel wedge
- Heel stiffness adjustment

Specifications

Max. User Weight:	166kg
Activity Level:	4
Spring range:	1-9
Component Weight:	850g cat. 6
Build Height:	250mm (female pyramid) 230mm (male pyramid)



Suitable for submersion

Order Example

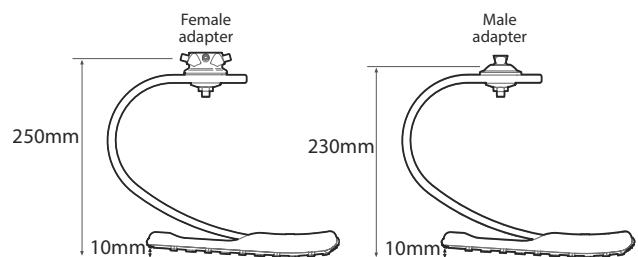
Product Code	Spring Set	Sole	Adapter Type
BXTAG	3	S	F

Foot example: BladeXT, spring rating 3, sport sole, female adapter

Product Code	Spring Set	Sole	Adapter Type
BXTAG	4	S	M

Foot example: BladeXT, spring rating 4, sport sole, male adapter

Build Height



User	Activity	User Weight										kg lbs	Foot spring set
		44-52 100-115	53-59 116-130	60-68 131-150	69-77 151-170	78-88 171-195	89-100 196-220	101-116 221-255	117-130 256-285	131-147 286-325	148-166 326-365		
Jogger	4	1	2	3	4	5	6	7	8	9	9		4
Runner	4	2	3	4	5	6	7	8	9	9	-		

Important: For higher impact users, do not exceed the weight limit for individual springs.

Javelin Schematics

1 Spring Kits:

Foot Size	Foot Size	Foot Size	Foot Size
22-24	25-26	27-28	29-30
Set 1 - 539301S	Set 1 - 539510S	Set 1 - 539519S	Special
Set 2 - 539302S	Set 2 - 539511S	Set 2 - 539520S	Order Only
Set 3 - 539303S	Set 3 - 539512S	Set 3 - 539521S	Set 3 - 539530S
Set 4 - 539304S	Set 4 - 539513S	Set 4 - 539522S	Set 4 - 539531S
Set 5 - 539305S	Set 5 - 539514S	Set 5 - 539523S	Set 5 - 539532S
Set 6 - 539306S	Set 6 - 539515S	Set 6 - 539524S	Set 6 - 539533S
Set 7 - 539307S	Set 7 - 539516S	Set 7 - 539525S	Set 7 - 539534S
Set 8 - 539308S	Set 8 - 539517S	Set 8 - 539526S	Set 8 - 539535S
Set 9 - -	Set 9 - 539518S	Set 9 - 539527S	Set 9 - 539536S

2 Glide Sock

Sizes 22 to 26	531011
Sizes 27 to 30	532811

3 Foot Shells:*

Foot size Left/Right	Narrow	Wide
22L	539038S	-
22R	539039S	-
23L	539040S	-
23R	539041S	-
24L	539042S	-
24R	539043S	-
25L	539044SN	539044SW
25R	539045SN	539045SW
26L	539046SN	539046SW
26R	539047SN	539047SW
27L	539048SN	539048SW
27R	539049SN	539049SW
28L	539050SN	539050SW
28R	539051SN	539051SW
29L	-	539052S
29R	-	539053S
30L	-	539054S
30R	-	539055S

*For dark tone add suffix D

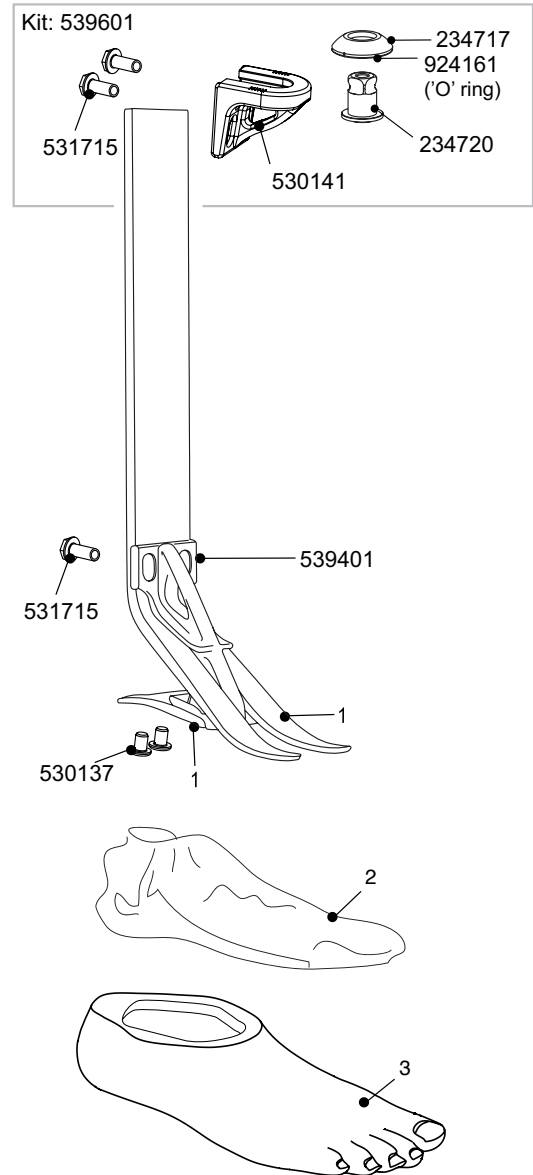
Fitting clamp - 941255 fitting clamp for alignment and set-up. Use also as cutting and drilling guide.

Available separately.

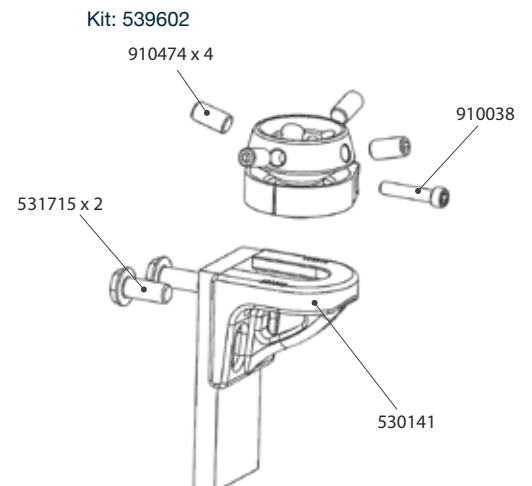
Tools:

Cutting/Drill & Jig Standard	941255
Instructions For Use	938306S

Male



Female



Build part numbers are for assembly guidance only and may not be for sale separately.

Lightweight blade, ideal for moderate impact sports and activities.

Javelin

Features

- Small sizes available
- e-carbon foot with independent springs
- Dynamic pylon enhances shock absorption
- Easy to finish cosmetically
- Sandal Toe Foot Shell

Foot Shell and Glide Sock included.

Specifications

Max. User Weight:	166kg
Activity Level:	(2), 3, (4*)
Size Range:	22cm-30cm
Component Weight:	444g [†]
Build Height:	200mm - 365mm (min - max)
Heel Height:	10mm





Order Example

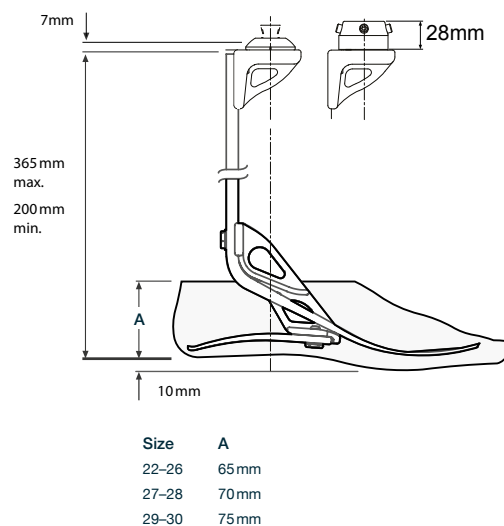
Product Code	Size	Side	Width*	Spring Set	Sandal Toe	+ Top Housing
JAV	25	L	N	3	S	539601: Blade top housing TT male - sliding & rotating 539602: Blade top housing TT female - sliding & rotating

*Narrow (N) and Wide (W) available for sizes 25-28 only.[□]
For dark tone add suffix D.
Example: foot size 25, left, narrow, spring rating 3, sandal toe, adapter.

Accessories

Foot Shell Cover	539087	
Top housing male	539601	
Top housing female	539602	

Build Height



Activity Level 2 users who would benefit from this foot will require softer springs as appropriate for the individual. Refer to Instructions for Use for further information.

Spring set recommendations are for trans-tibial users. For trans-femoral we suggest selecting a spring set one level lower.

Activity	User Weight									
	44-52 100-115	53-59 116-130	60-68 131-150	69-77 151-170	78-88 171-195	89-100 196-220	101-116 221-255	117-130 256-285	131-147 286-325	148-166 kg 326-365 lbs
3	1	1	2	3	4	5	6	7	8	9



[□]Maximum user weight 100 kg and always use one higher spring rate category than shown in Spring selection table.
[†]Component weight shown is for a size 26cm without foot shell.

Avalon^{K2} Schematics

1. Glide Sock, Sizes 22-30

405815

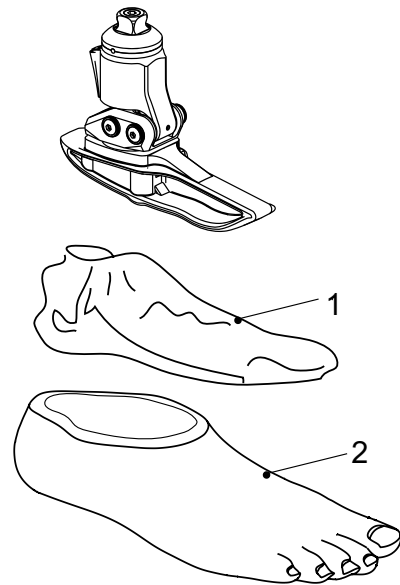
2. Foot Shell*

Left	Part Number	Right	Part Number
22L	539020	22R	539021
23L	539022	23R	539023
24L	539024	24R	539025
25L	539026	25R	539027
26L	539028	26R	539029
27L	539030	27R	539031
28L	539032	28R	539033
29L	539034	29R	539035
30L	539036	30R	539037

*For dark tone add suffix D

Hex Key 2.5mm AF
Instructions for use

940234
938327



Build part numbers are for assembly guidance only and may not be for sale separately.

Hydraulic ankle/foot with ergonomic keel for better posture, stability and joint position.

Avalon^{K2}

Features

- Ergonomic keel for ease of rollover
- Increased range of motion to enable greater sit-stand transfer safety
- Increased shock absorption, reduction in interface pressures
- Increased toe clearance in swing phase
- Plantar flexion compliance when descending steps
- Sandal toe

Foot Shell and Glide Sock included.



Specifications

Max. User Weight:	150kg
Activity Level:	2
Size Range:	22-30cm
Component Weight:	520g [†]
Build Height:	115mm
Heel Height:	10mm
Range of Ankle Motion:	6° plantar to 6° dorsiflexion



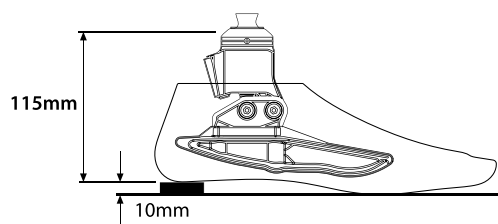
Suitable for submersion

Order Example

Product Code	Size	Side
AV	25	L

For dark tone add suffix D.
Foot example: AvalonK2 size 25 left.

Build Height



Accessories

Alignment Wedge

940093



[†]Component weight shown is for a size 26cm without foot shell.



AvalonK2^{VAC} Schematics

1. Glide Sock, Sizes 24-30

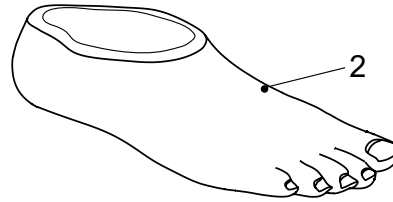
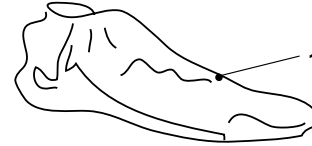
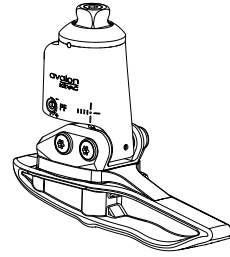
405815

2. Foot Shell*

Left	Part Number	Right	Part Number
24L	539024	24R	539025
25L	539026	25R	539027
26L	539028	26R	539029
27L	539030	27R	539031
28L	539032	28R	539033
29L	539035	29R	539035
30L	539036	30R	539037

*For dark tone add suffix D

DF/PF Adjuster Key 940236
 Instructions for use 938432



AvalonK2^{VAC}

Hydraulic ankle/foot with the added functionality of elevated vacuum. The ergonomic keel provides better posture, stability and joint position.

Features

- Biomimetic Hydraulic Technology with integrated elevated vacuum
- Walking motion generates a natural vacuum
- No power required, quiet gentle operation
- Ergonomic keel for ease of rollover
- Increased shock absorption, reduction in interface pressures
- Increased toe clearance in swing phase
- Plantar flexion compliance when descending steps
- Sandal toe

Foot Shell and Glide Sock included.



Specifications

Max. User Weight:	150kg
Activity Level:	2
Size Range:	24-30cm
Component Weight:	583g [†]
Build Height:	122mm
Heel Height:	10mm
Range of Ankle Motion:	6° plantar to 3° dorsiflexion

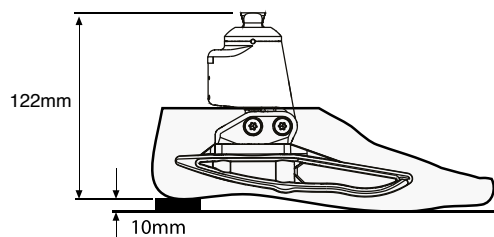


Order Example

Product Code	Size	Side
AVAC	24	L

For dark tone add suffix D.
Foot example: Avalonk2VAC size 24L.

Build Height



Accessories

Alignment Wedge	940093
Socket Connection Kit	409663



[†]Component weight shown is for a size 26cm without foot shell.



Navigator Schematics

1 Snubber Kits

60° (white)	405605
70° (orange)	405606
80° (blue)	405607

2 Keel

Small	405619
Medium	405719
Large	405819
Extra Large	405919

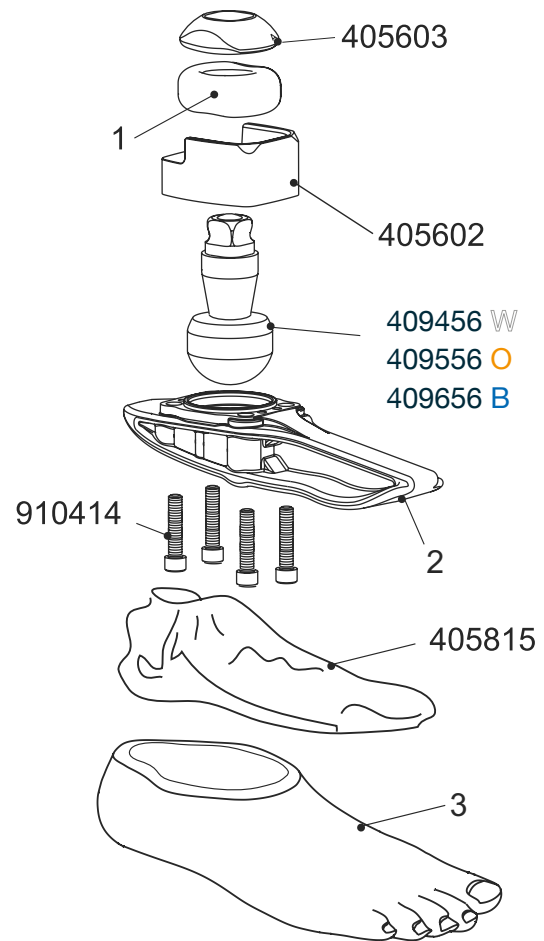
3 Foot Shell*

Left	Part Number	Right	Part Number
22L	539020	22R	539021
23L	539022	23R	539023
24L	539024	24R	539025
25L	539026	25R	539027
26L	539028	26R	539029
27L	539030	27R	539031
28L	539032	28R	539033
29L	539034	29R	539035
30L	539036	30R	539037

*For dark tone add suffix D

Cone tool (for assembly)
Instructions for use

940083
938247



Build part numbers are for assembly guidance only and may not be for sale separately.

Multi-axial foot with flexible keel for comfort and stability.

Navigator

Features

- Multi-axial flexible keel
- Short keel optimized for K2 gait and transfer
- Integrated ankle joint
- Choice of ankle stiffness
- Sandal toe

Foot Shell and Glide Sock included.

Specifications

Max. User Weight:	125kg
Activity Level:	1-2
Size Range:	22cm-30cm
Component Weight:	350g [†]
Build Height:	95mm
Heel Height:	10mm



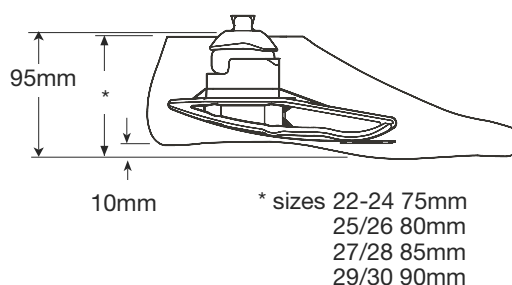
Suitable for outdoor use

Order Example

Product Code	Size	Side	Ball	Snubber
NAV	25	L	W	O

For dark tone add suffix D. Foot example: Navigator, size 25 left, ball rating white, snubber rating orange.

Build Height



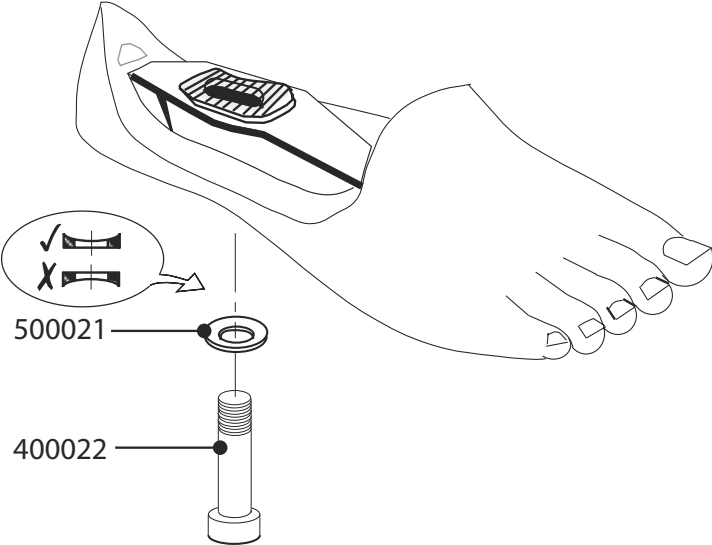
Ball and Snubber
 W=white, soft
 O=orange, medium
 B=blue, hard

Activity	User Weight							kg lbs	Ball and snubber
	44-52 100-115	53-59 116-130	60-68 131-150	69-77 151-170	78-88 171-195	89-100 196-220	101-125 221-275		
1	WW	WW	WW	WO	OO	OB	BB		
2	WW	WW	WO	OO	OB	BB	BB		



[†]Component weight shown is for a size 26cm without foot shell.

Multiflex Standard Schematics



Build part numbers are for assembly guidance only and may not be for sale separately.

The Multiflex foot and ankle provides the level 1-2 user with multi-axial motion for comfort and stability.

Multiflex Standard

Features

- Multi-axial function
- Low profile
- Sandal toe

Specifications

Max. User Weight:	125kg
Activity Level:	1-2
Size Range:	22cm-30cm
Component Weight:	375g [†]
Build Height:	40mm
Heel Height:	20 ± 15mm

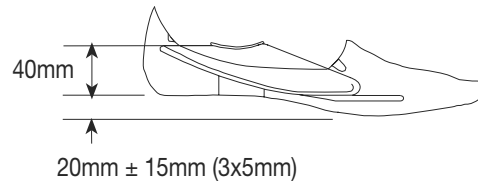


Part Numbers

Size	Left	Right
22cm	519119	519120
23cm	519121	519122
24cm	519123	519124
25cm	519125	519126
26cm	519127	519128
27cm	519129	519130
28cm	519131	519132
29cm	519133	519134
30cm	519135	519136



Build Height



Ankle Part Number and Description	Snubber Part Number and Description	Max. User Weight/ Activity Level	Build Height	Material	Weight
379342 Multiflex ankle W 30mm	409007 - snubber W 60° 409008 - snubber O 70° 409009 - snubber B 80°	125kg / 1-2	60mm	Aluminium	201g
379343 Multiflex ankle O 30mm					
379344 Multiflex ankle B 30mm					
409353 Pyramid Multiflex W	409007 - snubber W 60° 409008 - snubber O 70° 409009 - snubber B 80°	125kg / 1-2	58mm	Aluminium & Stainless Steel	199g
409354 Pyramid Multiflex O					
409355 Pyramid Multiflex B					

Light duty snubber kits are available:

- 409002 Light duty snubber W 60°
- 409003 Light duty snubber O 70°
- 409004 Light duty snubber B 80°

Ankle and snubber selection

				Ankle
				Snubber
60kg	80kg	100kg	125kg	

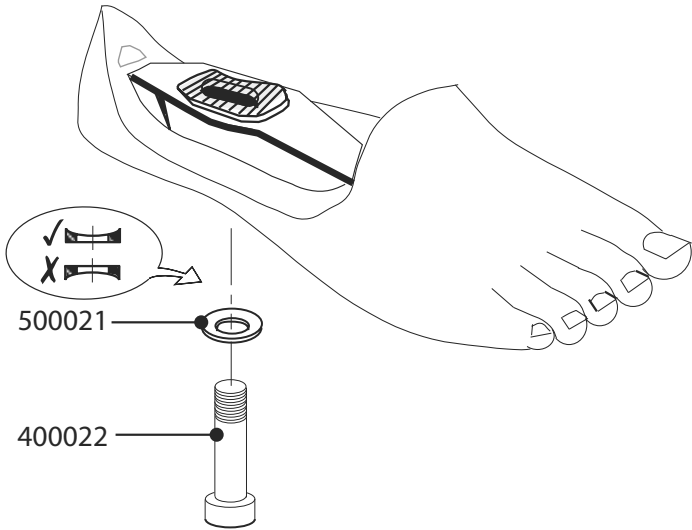
Snubber for standard ankle:

Multiflex ankle and snubber selection.

Activity	Max. User Weight				kg lbs	Ball and snubber
	60	80	100	125		
1-2	131	176	220	275		WW WO OO BB

[†]Component weight shown is for a size 26cm.

Multiflex Slim Schematics



Instructions for use

938016

Cosmesis options refer to page 118.

Build part numbers are for assembly guidance only and may not be for sale separately.

The Multiflex foot and ankle in a slimmer width.
Additional heel height capacity allows for a higher heel.

Multiflex Slim

Features

- Multi-axial function
- Low profile
- Sandal toe

Specifications

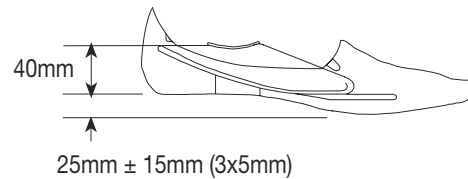
Max. User Weight:	125kg
Activity Level:	1-2
Size Range:	22cm-25cm
Component Weight:	375g [†]
Build Height:	40mm
Heel Height:	25 ± 15mm



Part Numbers

Size	Left	Right
22cm	519141	519142
23cm	519143	519144
24cm	519145	519146
25cm	519147	519148

Build Height



Ankle Part Number and Description	Snubber Part Number and Description	Max. User Weight/ Activity Level	Build Height	Material	Weight	
379342 Multiflex ankle W 30mm	409007 - snubber W 60°	125kg / 1-2	60mm	Aluminium	201g	
379343 Multiflex ankle O 30mm						409008 - snubber O 70°
379344 Multiflex ankle B 30mm						409009 - snubber B 80°
409353 Pyramid Multiflex W	409007 - snubber W 60°	125kg / 1-2	58mm	Aluminium & Stainless Steel	199g	
409354 Pyramid Multiflex O						409008 - snubber O 70°
409355 Pyramid Multiflex B						409009 - snubber B 80°

Light duty snubber kits are available:

- 409002 Light duty snubber W 60°
- 409003 Light duty snubber O 70°
- 409004 Light duty snubber B 80°

Ankle and snubber selection

				Ankle
				Snubber
60kg	80kg	100kg	125kg	

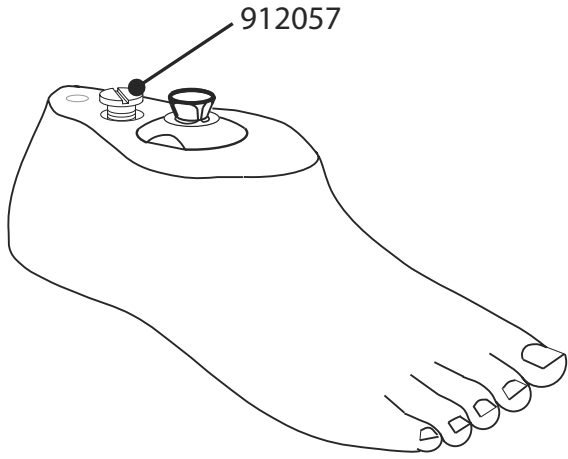
Snubber for standard ankle:

Multiflex ankle and snubber selection.

Activity	Max. User Weight				kg	lbs
	60	80	100	125		
1-2	131	176	220	275		
	WW	WO	OO	BB		Ball and snubber

[†]Component weight shown is for a size 25cm.

SuperSACH Schematics



Instructions for use

938086

Build part numbers are for assembly guidance only and may not be for sale separately.

A cushioned foot with flexible keel and adjustable heel cushion for level 1-2 users.

SuperSACH

Features

- Adjustable heel cushion
- Sandal toe
- Integrated pyramid

Specifications

Max. User Weight:	125kg
Activity Level:	1-2
Size Range:	22cm-28cm
Component Weight:	449g [†]
Build Height:	70mm size 22-24 75mm size 25-26 80mm size 27-28
Heel Height:	19mm



Suitable for submersion

Part Numbers

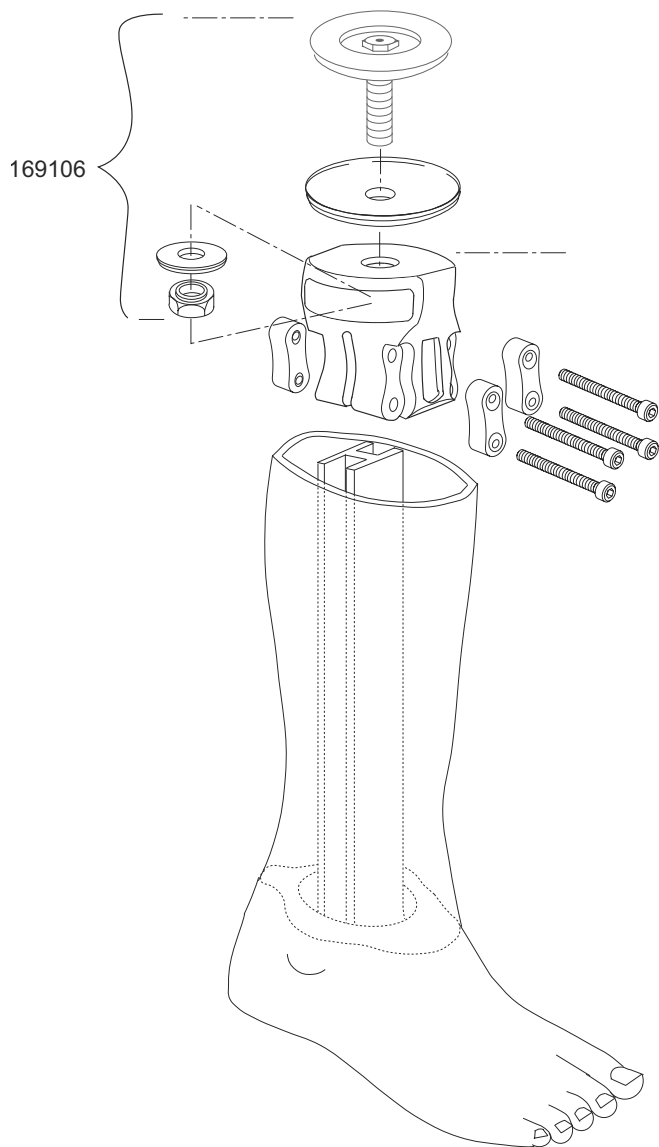
Size	Left	Right
22cm	P529101	P529102
23cm	P529103	P529104
24cm	P529105	P529106
25cm	P529107	P529108
26cm	P529109	P529110
27cm	P529111	P529112
28cm	P529113	P529114

Build Height

Size	A
22cm	70mm
23cm	
24cm	
25cm	75mm
26cm	
27cm	80mm
28cm	

[†]Component weight shown is for a size 26cm.

Aqualimb^{TT} Schematics



Moulded BK Alignment Kit **169106**
Instructions for use **938255**

Build part numbers are for assembly guidance only and may not be for sale separately.

A waterproof prosthesis with integral shin and cosmesis.
For use in the shower and wet environments.

Aqualimb^{TT}

Features

- Integral shin and cosmesis
- Rapid assembly
- Full alignment device included
- Anti-slip tread pattern on sole

Specifications

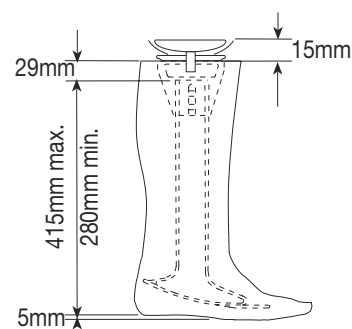
Max. User Weight:	100kg
Activity Level:	1-2
Size Range:	22cm-27cm
Component Weight:	1.39kg†
Build Height:	280 to 415mm
Heel Height:	5mm



Part Numbers

Size	Left	Right
22cm	629705L	629706L
23cm	629707L	629708L
24cm	629709L	629710L
25cm	629711L	629712L
26cm	629713L	629714L
27cm	629715L	629716L

Build Height



†Component weight shown is for a size 26cm.



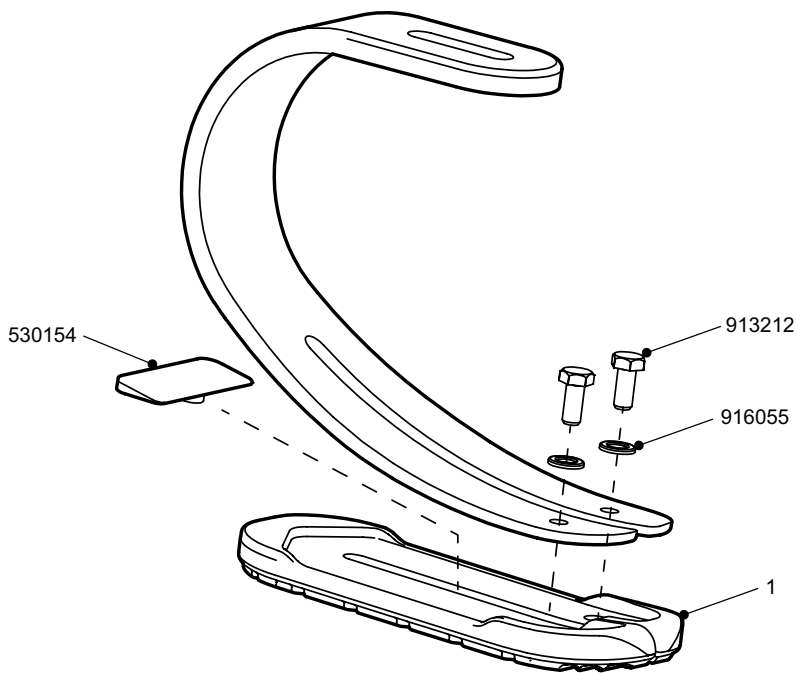
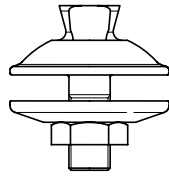




Junior

Mini Blade^{XT} Schematics

Male Mini Pyramid
189627



1 MBXT Heel Spring Kits — include the overmoulded cover, screws, washers and heel wedge.

Spring Category	Heel Type	Part No.
1	Soft Sports	539084SS
2	Medium Sports	539084MS
3	Firm Sports	539084FS
4	Extra Firm	539084 EFS

Adapters	Part No.
Male Mini Pyramid (supplied with foot)	189627

Female Mini Pyramid 25mm Tube Clamp Adapter	189526
---	--------

Female Mini Pyramid 30mm Tube Clamp Adapter	189727
---	--------



MBXT Adapter Kit (M30 threaded short adapter kit for minimum build height)	189826
--	--------

Instructions For Use	938371
----------------------	--------

Build part numbers are for assembly guidance only and may not be for sale separately.

A versatile paediatric blade suitable for a range of activities.

Mini Blade^{XT}

Features

- Twin toe and heel springs
- Split toe design
- Traction sole
- Heel stiffness wedge
- Waterproof
- Field replaceable heel spring kit
- Male mini pyramid with 30mm shift and rotation

Specifications

User Weight:	20-60kg
Amputation Level:	All
Activity Level:	3-4
Spring Range:	1-3
Component Weight:	450g (including male mini pyramid)
Build Height:	168mm
Colour Options:	Dazzling Pink (P) or Electric Blue (B)



Order Example

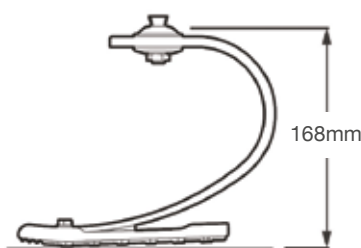
Product Code	Colour	Spring Set	
MBXTA	B	3	SM

Foot example: Mini BladeXT, Colour Blue, Spring Set 3.

Product Code	Colour	Spring Set	
MBXTA	P	1	SM

Foot example: Mini BladeXT, Colour Pink, Spring Set 1.

Build Height



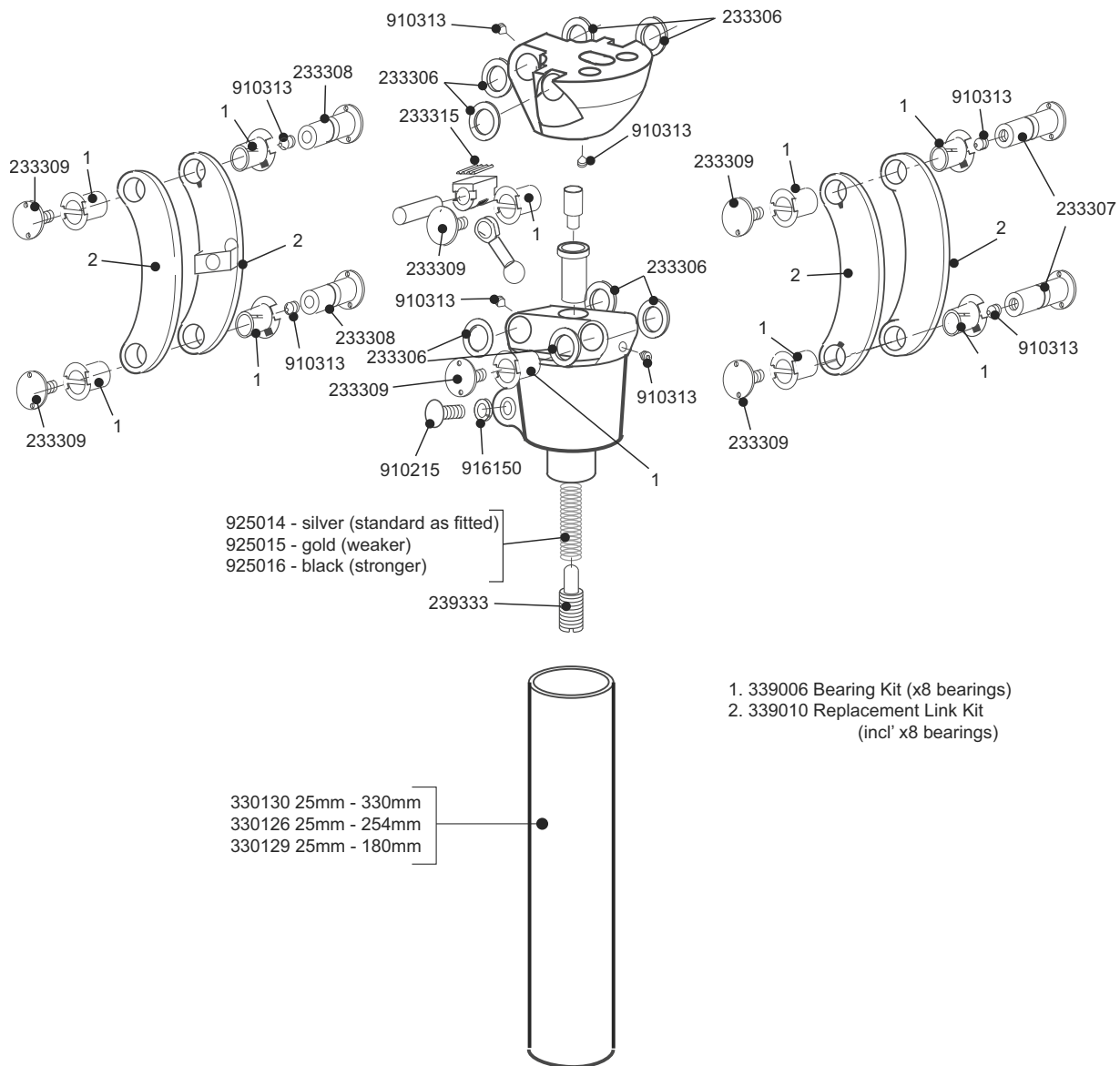
Activity	User Weight			Toe and Heel Spring Set
	20-35 44-77	36-50 78-110	51-60 111-132	
3-4	1 Soft	2 Medium	3 Firm	



Child's 4-Bar Knee Schematics

TT system

019245



Instructions for use

- Knee **938017**
- Knee with tube **938103**

A durable and lightweight polycentric knee designed for active children.

Child's 4-Bar Knee

Features

- Polycentric knee for stance stability
- Adjustable extension assist spring
- Wide range of alignment
- Low build height

Specifications

Max. User Weight:	60kg
Activity Level:	1-4
Component Weight:	335g
Build Height:	105mm







Suitable for outdoor use

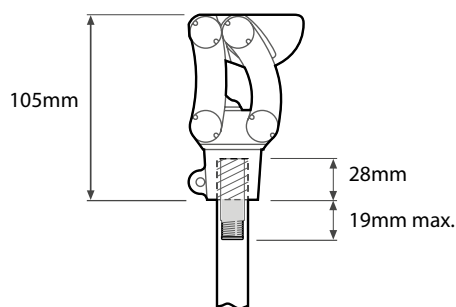
Part Number

Child's 4-bar Knee with 330mm tube	019245
Child's 4-bar Knee without tube	239133

Adapters

Child's TF Alignment Kit	189226	
Lamination Socket Alignment Kit	189126	
M30 Childs Adapter Kit	189726	
Female Mini Pyramid Pylon Kit 25mm	409099	

Fitting Length



Junior

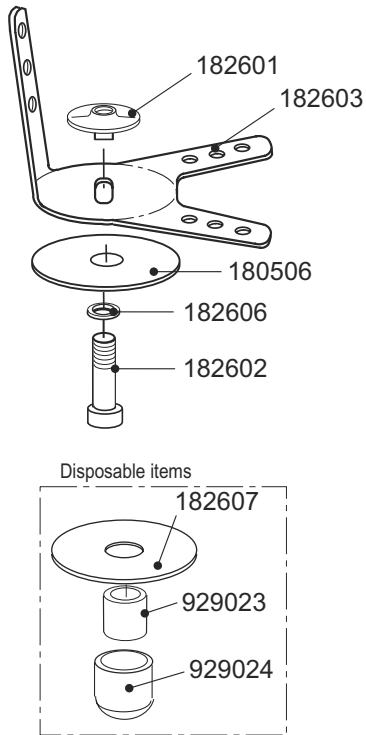
Number	Description	Part Number	Build height	Weight	Max. User Weight. /Activity Level
1	Child's socket attachment plate for lamination	189126	10mm	125g	60kg/1-4
2	Child's TF alignment kit-Blatchford full alignment	189226	16mm	64g	60kg/1-4
3	M30 Child's Adapter for 4 Bar Knee	189726	12mm	55g	60kg/1-4
4	M30 4 Prong Laminate Adapter	189626	10mm	100g	60kg/1-4
5	Female Mini Pyramid Pylon	409099	TT-50mm to 80mm TF-60mm to 80mm	96g	60kg/1-4
6	Female Mini Pyramid 25mm Tube Clamp Adapter	189526	12mm	75g	60kg/1-4
7	Female Mini Pyramid 30mm Tube Clamp Adapter	189727	12mm	75g	60kg/1-4
8	25mm Carbon Fibre Pylon	330129	180mm	56g	60kg/1-4
9	25mm Carbon Fibre Pylon	330126	253mm	81g	60kg/1-4
10	25mm Carbon Fibre Pylon	330130	330mm	109g	60kg/1-4



Please note that products are not shown to relative scale.

1. TF alignment kit

189126

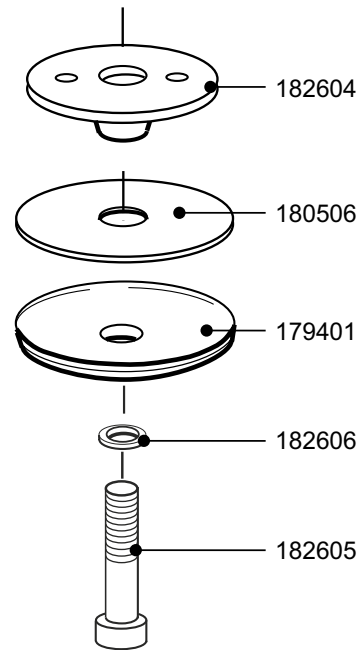


Instructions for use

938112

2. Alignment kit

189226

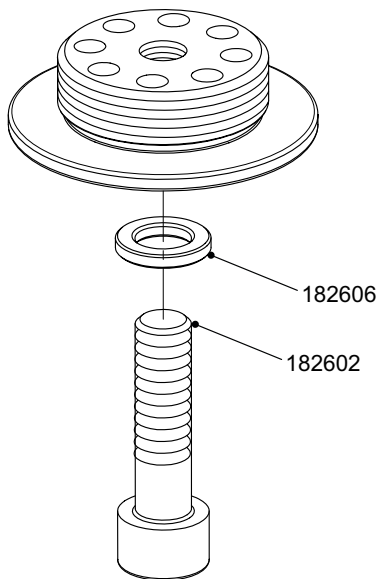


Instructions for use

938109

3. M30 Child's Adapter

189726

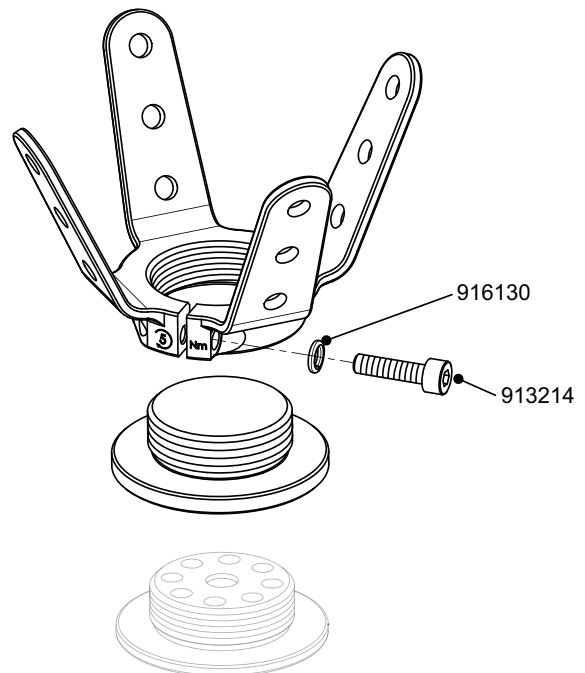


Instructions for use

938396

4. M30 4 Prong Laminate Adapter

189626

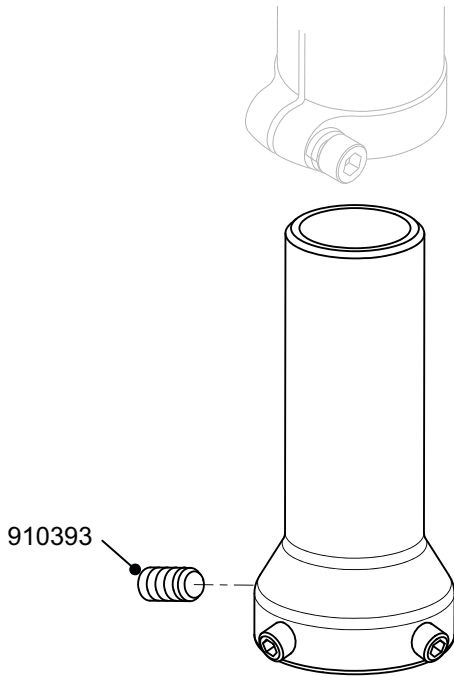


Instructions for use

938395

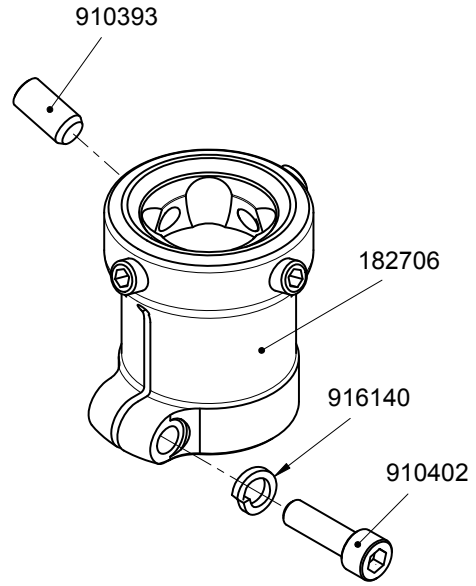


5. Female Mini Pyramid Pylon 25mm 409099



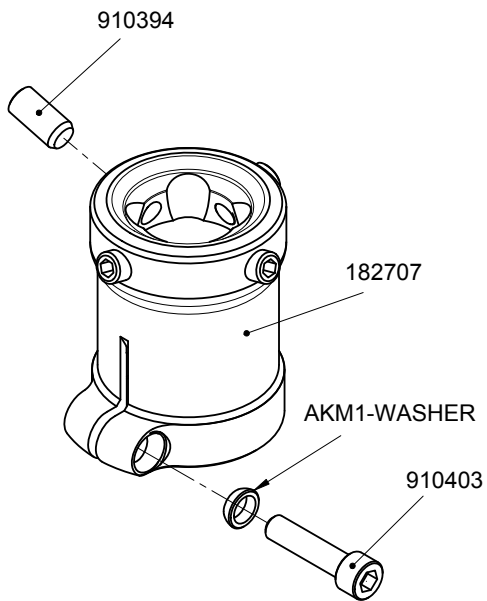
Instructions for use 938394

6. Female Mini Pyramid 25mm Tube Clamp Adapter 189526



Instructions for use 938373

7. Female Mini Pyramid 30mm Tube Clamp Adapter 189727



Instructions for use 938373





Adapters

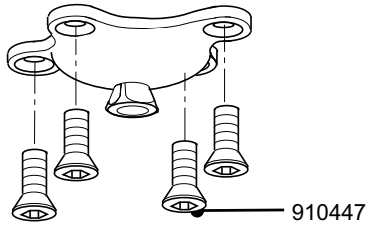
Number	Description	Part Number	Build height	Material	Weight	Max. User wt. /Activity Level
1	TT lamination anchor	P189410S	17mm (35mm)	St. Steel	85g	125kg / 1-3 100kg / 1-4
2	Pyramid male 4-bolt	P189310	8mm (15mm)	St. Steel	68g	150kg / 1-3 145kg / 1-4
3	Pyramid male - sliding/rotating	EP-MSR	14mm (27mm)	Titanium	140g	150kg / 1-3
4	Pyramid female - sliding /rotating	EP-FSR	33mm (33mm)	Titanium	150g	150kg / 1-3
5	Pyramid male 4-bolt - sliding & rotating	169407	15mm	Aluminium/ Titanium	125g	150kg / 1-3 145kg / 1-4
6	Pyramid male - sliding & rotating Non-rotating male pyramid adapter	239017 239089	7mm (22mm) 7mm (22mm)	Alum/Titanium Alum/Titanium	50g 50g	166kg / 4 166kg / 4
7	Pyramid female - Blatchford dome	P409049 (large) P409050 (small)	45mm 45mm	Aluminium/ St. Steel	209g	150kg / 1-3 145kg / 1-4
8	Pyramid male - Blatchford knee chassis	189127	5mm (25mm)	Aluminium/ St. Steel	103g	125kg / 1-3 100kg / 1-4
9	Pyramid female short - Blatchford knee chassis	409041	10mm (25mm)	Aluminium/ Titanium	110g	125kg / 1-3 100kg / 1-4
10	Full alignment kit TT - Blatchford dome	189906 (standard)	20mm	Aluminium/ Titanium	122g	125kg / 1-3 100kg / 1-4
11	Full alignment kit TF - Blatchford dome	189806 (standard)	20mm	Aluminium	183g	125kg / 1-3 100kg / 1-4
12	Min. Build Height Kit - 4-bolt ESK+, Mercury and KX07	239032	20mm	Aluminium	170g	125kg / 1-3 100kg / 1-4
13	M36 Adapter	239092	14mm	Alum/St. Steel		125kg / 1-3 100kg / 1-4
14	Pyramid female - sliding & rotating	189128	28mm	Alum/Titanium	114g	166kg / 4

Adapters



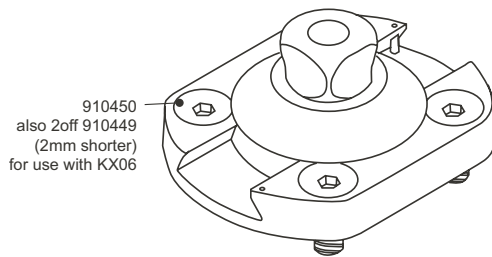
Adapters Schematics

3. Pyramid 4-bolt **P189310**



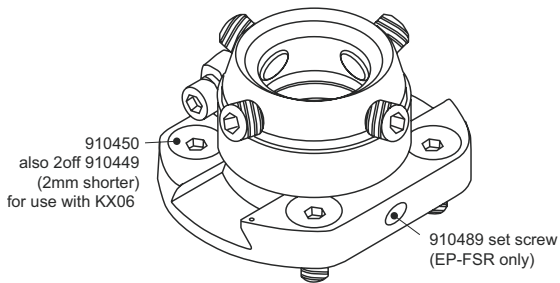
Instructions for use **938282**

4. TF Pyramid Male Sliding/Rotating **EP-MSR**



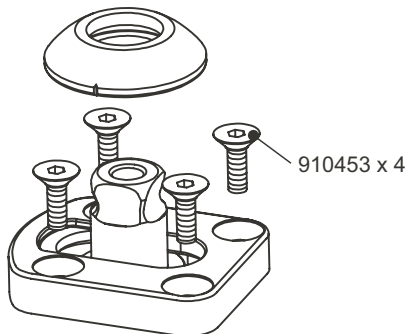
Instructions for use
EP-MSR **938244**

5. TF Pyramid Female Sliding/Rotating **EP-FSR**



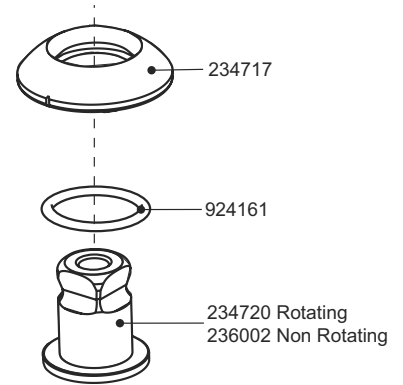
Instructions for use
EP-FSR **938240**

6. Pyramid male 4-bolt, sliding & rotating **169407**



Instructions for use **938310**

7. Pyramid Male Sliding Rotating **239017**
Non Rotating **239089**



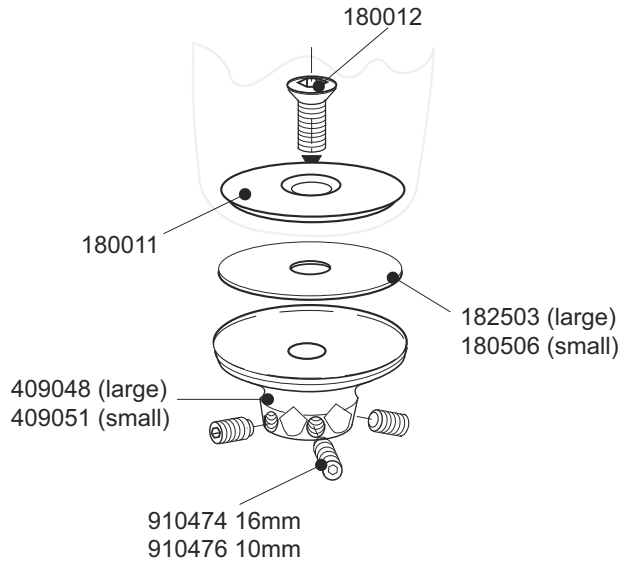
Instructions for use **938179**

Build part numbers are for assembly guidance only and may not be for sale separately.

Adapters Schematics

9. Female pyramid adapter:

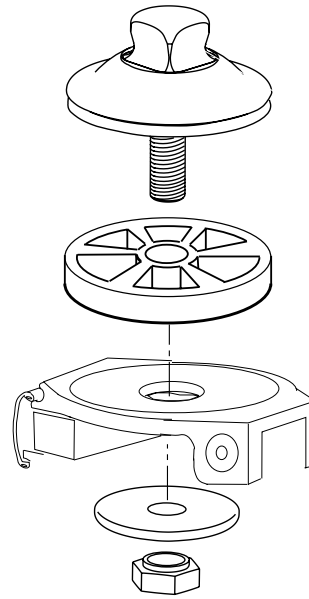
Large P409049
Small P409050



Instructions for use 938090

10. Full align. pyramid Standard

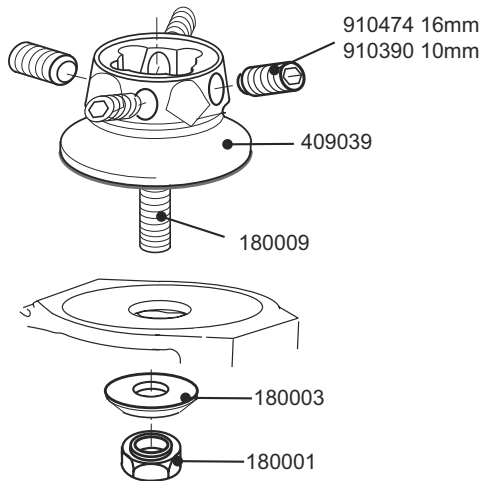
189127



Instructions for use 938164

11. Pyramid shift adapter S

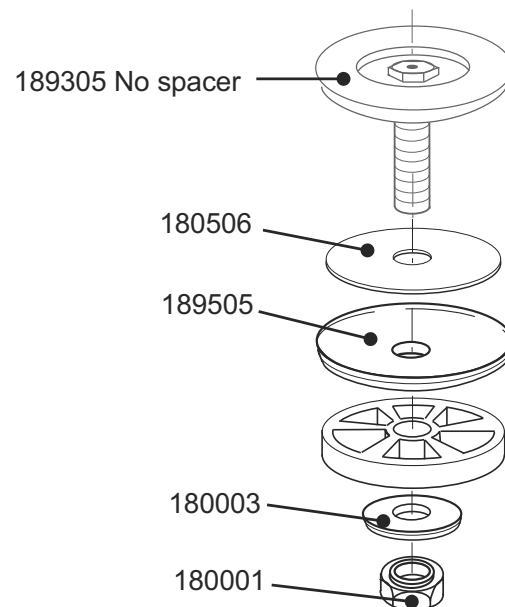
409041



Instructions for use 938050

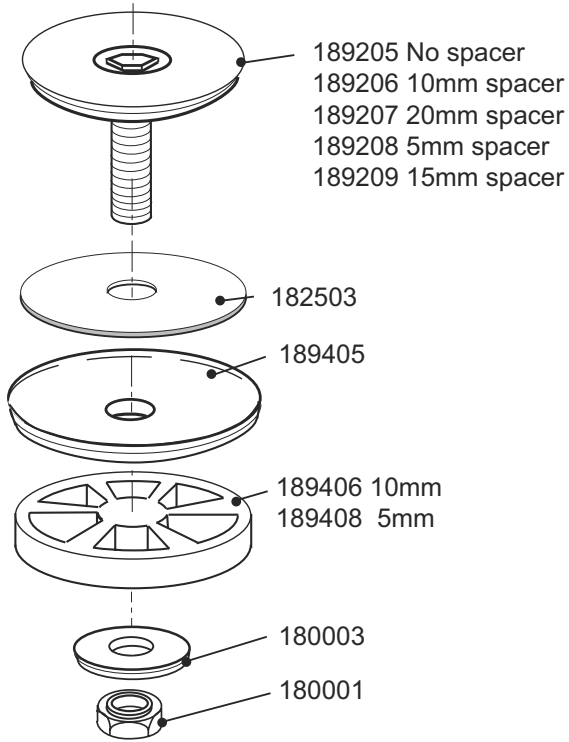
12. TT alignment kit Standard

189906

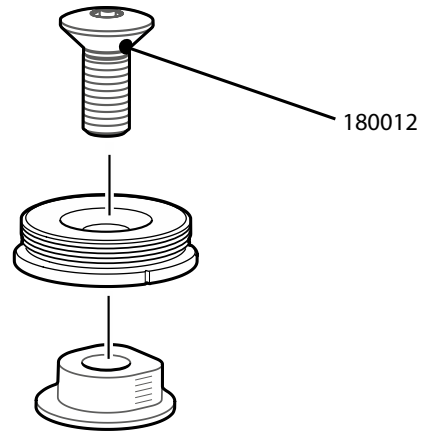


Adapters Schematics

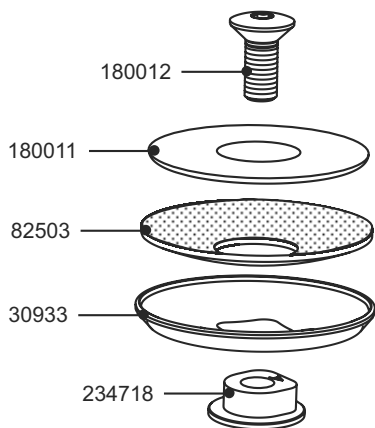
13. TF alignment kit standard 189806



15. M36 Adapter 239092

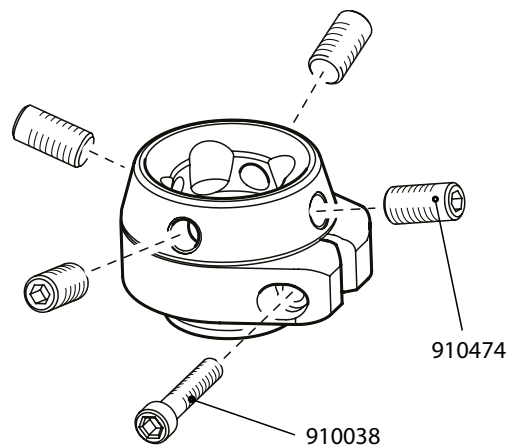


14. Alignment kit 239032



Instructions for use 938265

16. Pyramid female - sliding & rotating 189128



Adapters Schematics

Number	Description	Part Number	Build height	Material	Weight	Max. User wt. /Activity Level
1	Tube clamp adapter pyramid female 30mm	AK30M1	15mm (51mm)	Titanium	92g	150kg / 1-3 145kg / 1-4
2	Blade top housing TT male - sliding & rotating	539601	7mm	Aluminium/Titanium	165g	166kg / 1-3 130kg / 1-4
3	Blade top housing TT female - sliding & rotating	539602	28mm	Aluminium/Titanium	240g	166kg / 1-3 130kg / 1-4
4	Pylon adapter pyramid female - 400mm long	739053	15mm (51mm + tube)	Aluminium	362g	125kg / 1-3 100kg / 1-4
5	Pylon adapter pyramid female 30mm- low profile	409053	60mm min, 90mm max	Aluminium	97g	125kg / 1-3 100kg / 1-4
6	Pylon 30mm	330120	250mm max	Carbon Fibre	100g	100kg / 1-3 100kg / 1-4
	Pylon 30mm	330132	508mm max	Carbon Fibre	206g	100kg / 1-4
	High strength pylon 30mm	330146	250mm max	Carbon Fibre	180g	150kg / 1-3 145kg / 1-4
	Pylon 30mm/400mm	903220/400	400mm max	Aluminium	285g	125kg / 1-3 100kg / 1-4
7	Top housing TT 30mm - full alignment	339008	25mm (59mm)	Aluminium	142g	100kg / 1-3
8	Multiflex Ankle/Seattle Lightfoot connector	409012	4.5mm	St. Steel	102g	125kg / 1-3 100kg / 1-4

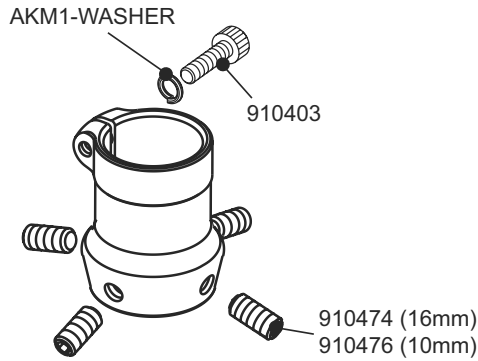
*for Seattle Lightfoot.

Tubes and Adapters



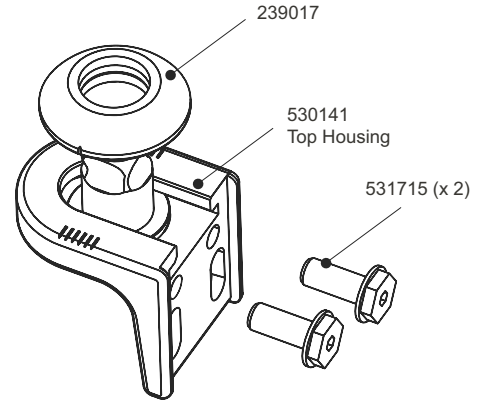
Adapters Schematics

1. Pyramid clamp 30mm **AK30M1**



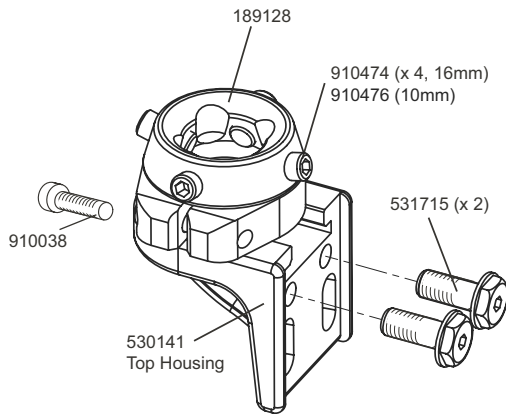
Instructions for use **938252**

2. Blade and Javelin top Housing TT male **539601**



Instructions for use **938307 & 938179**

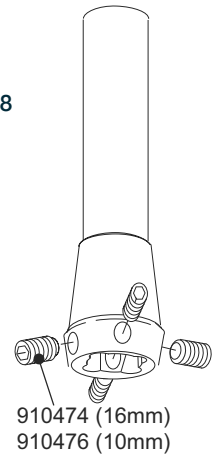
3. Blade and Javelin top Housing TT female **539602**



Instructions for use **938307 & 938313**

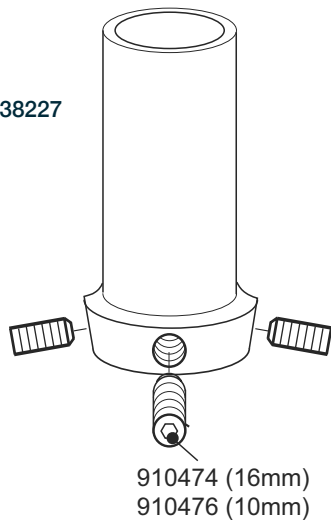
4. Bonded Pyramid Adapter - 30mm tube 400mm **739053**

Instructions for use **938228**

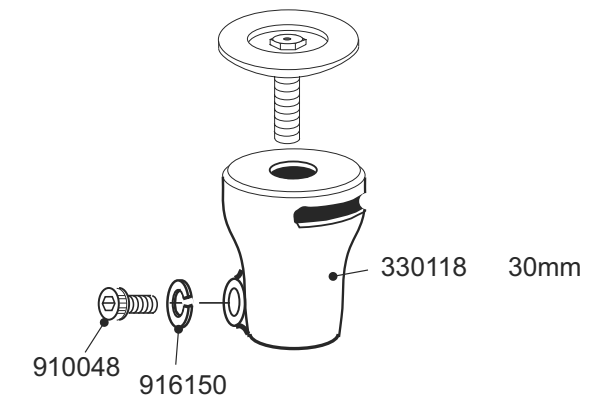


6. Pyramid pylon 30mm **409053**

Instructions for use **938227**



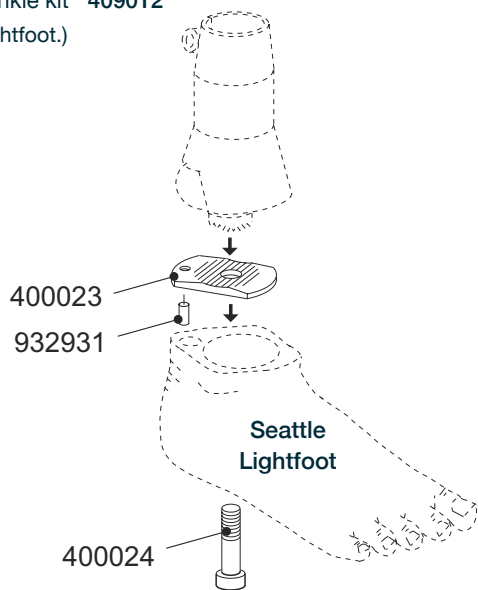
10. Top housing for TT - 30mm **339008**



Instructions for use **938054**

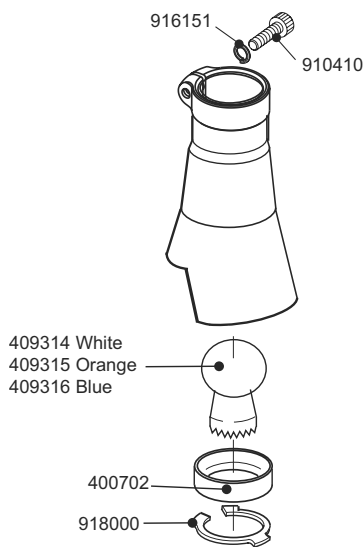
Multiflex Ankle Schematics

12. Multiflex ankle kit 409012
(For Seattle Lightfoot.)



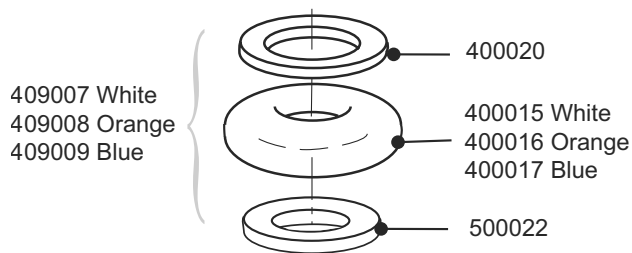
Instructions for use 934339

Multiflex ankle 30mm
60° (w) 379342
70° (o) 379343
80° (b) 379344



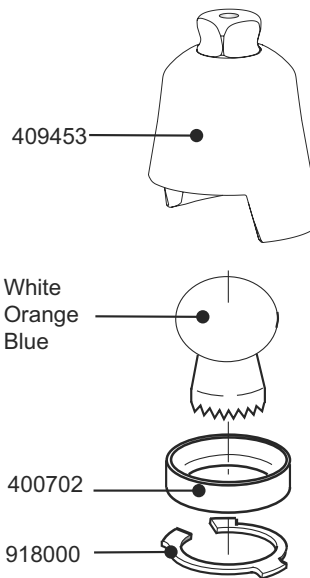
Instructions for use 938224

Snubber



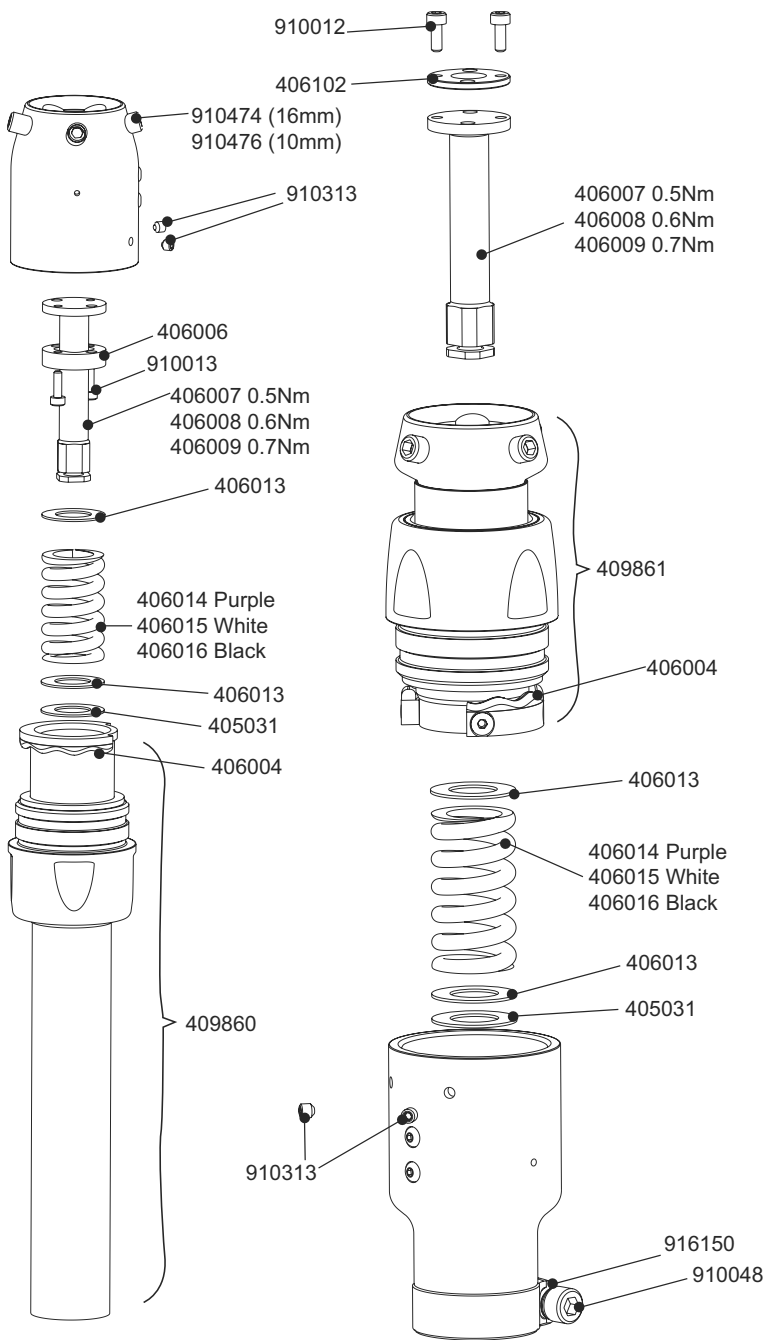
Instructions for use 934331

Multiflex ankle (pyramid)
60° (w) 409353
70° (o) 409354
80° (b) 409355



Instructions for use 938225

TTPro Schematics



Ancillary component designed to cushion shock and shear forces caused by vertical and rotational movement. Ideal for sports and activities such as golf, tennis and hiking.

TTPro

Specifications

Max. User Weight/Impact Level: 100kg/ 1-4
125kg/ 1-3

Component Weight: From 317g

Build Height: 135mm - 260mm (pyr)
145mm (clamp)

System diameter: 30mm



Pyramid
TTPROPYR



Clamp
TTPRO30

Order Example

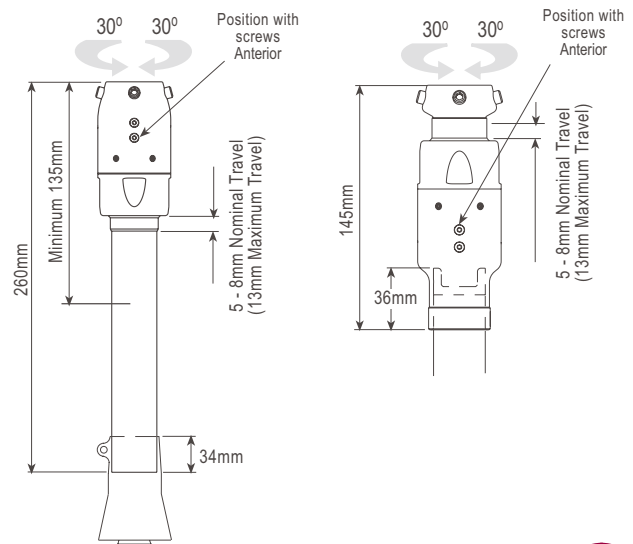
Pyramid			
Product Code	Rod	Spring Set	
TTPRO	PYR	3	B

eg. TTPRO-PYR3B

Clamp			
Product Code	Rod	Spring Set	
TTPRO	30	3	B

eg. TTPRO-30-3B

Build Height



4 1
3 2

TTPro	Impact Level	User Weight								Rod and Spring Set	
		44-52	53-59	60-68	69-77	78-88	89-100	101-116	117-125		kg
		100-115	116-130	131-150	151-170	171-195	196-220	221-255	256-275	lbs	
	Low	1P	2P	2P	2W	2W	3B	3B	3B		
	Moderate	2P	2W	3W	3W	3B	3B	3B	3B		
	High	3W	3W	3B	3B	3B	3B	-	-		



silcare breathe

Liners



Blatchford Liners for Trans-Tibial Amputees

Blatchford offer two liner technologies:

- **Silcare Breathe:** Liners that are designed to keep skin dry, cool and healthy. This range of liners are designed with perforations to specifically overcome issues with sweat; helping to maintain a dry, comfortable and secure connection.
- **Silcare:** Liners designed to reduce shear forces within the socket resulting in greater comfort at the skin/liner interface.

Both ranges are available in:

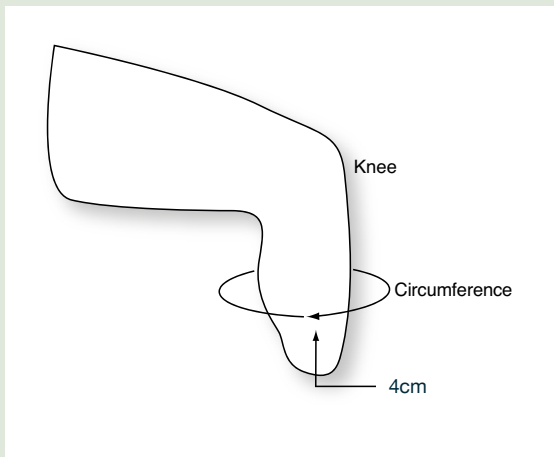
- Two silicone Durometer levels described as **Walk** or **Active**
- **Cushion** or **Locking** options

Silcare Breathe Liner Range

Guide to Measurements

Liners

How to size, measurements taken 4cm from the distal end, depending on liner brand as shown.



Product Range	Technology Description	Description
Silcare Breathe ACTIVE	The patented technology of Silcare Breathe works by letting the air and perspiration that are often trapped between the liner and skin escape through specially designed laser drilled perforations. The air and moisture are then expelled from the socket as the wearer walks. Resulting in drier skin and a healthier environment for the residual limb. This helps to increase comfort and control and reduce the damaging effects of relative motion on damp tissues that is often encountered with standard prosthetic liners.	Blatchford's original liner range using a firmer silicone. Designed to give a firmer interface between the residual limb and the liner, which is suited to more active users .
Silcare Breathe WALK		Utilises a softer silicone designed to provide optimal comfort and control for low to moderately active wearers who have more sensitive and fragile residual limbs.

Silcare Breathe Active

(previously Silcare Breathe)

Blatchford's original liner range using a firmer silicone. Suitable for more **active users** i.e. those who have an activity level of 3 or 4

Features

- Firmer silicone for firmer connection between residual limb and liner
- Improvements in residual limb health and wound healing, compared to non-perforated liners
- Improved heat dissipation compared to other temperature regulation solutions
- Removes sweat from skin-liner interface.
- Reduces the need to remove prosthesis throughout the day to dry residual limb, compared to non-perforated liners
- Easy to don
- Seamless bi-directional stretch to improve comfort and contouring. Shear forces on the knee are reduced as it flexes
- Tendresse™ finish provides a lower coefficient of friction than standard silicone, reducing shear stresses on skin
- 6 month warranty



Silcare Breathe Active Liner - Cushion

Silcare Breathe Active Liner - Locking

Cushion System – use in conjunction with a one way valve and airtight suspension sleeve helps to generate a better vacuum and more secure fit.

Locking System

- Uni-directional stretch distally resists pistoning whilst bi-directional stretch proximally allows for comfortable knee flexion.
- Locking system and unique one way valve create an airtight seal between the skin and the inner surface of the liner. No separate suspension sleeve is required making knee flexion easier, creating a cooler environment for skin and a more comfortable limb and socket connection.

Part Numbers

Product Name	Type	User	Type	Shape	Size	
Name Breakdown	Silcare Breathe	Active OR Walk	Transtibial	Cushion /Locking	Parallel	Size
Part No	SB	A or W	TT	C or L	P	22-40

Sizing Chart

Measure the circumference of the residual limb 4 cm up from its distal end. If the circumference of the residual limb matches one of the sizes in the table, choose the next size down. If the circumference of the residual limb is between one of the sizes in the table, choose the smaller size.

Silcare Breathe is changing its name to **Silcare Breath Active**. Please note the change to part numbers.

Cushion Range				Locking Range			
Size	Current Part Number	Changing to	New Part Number	Size	Current Part Number	Changing to	New Part Number
22cm	SBTTCP22L	➔	SBATTCP22	22cm	SBTTLP22L	➔	SBATTLP22
23.5cm	SBTTCP23L	➔	SBATTCP23	23.5cm	SBTTLP23L	➔	SBATTLP23
25cm	SBTTCP25L	➔	SBATTCP25	25cm	SBTTLP25L	➔	SBATTLP25
26.5cm	SBTTCP26L	➔	SBATTCP26	26.5cm	SBTTLP26L	➔	SBATTLP26
28cm	SBTTCP28L	➔	SBATTCP28	28cm	SBTTLP28L	➔	SBATTLP28
30cm	SBTTCP30L	➔	SBATTCP30	30cm	SBTTLP30L	➔	SBATTLP30
32cm	SBTTCP32L	➔	SBATTCP32	32cm	SBTTLP32L	➔	SBATTLP32
34cm	SBTTCP34L	➔	SBATTCP34	34cm	SBTTLP34L	➔	SBATTLP34
36cm	SBTTCP36L	➔	SBATTCP36	36cm	SBTTLP36L	➔	SBATTLP36
40cm	SBTTCP40L	➔	SBATTCP40	40cm	SBTTLP40L	➔	SBATTLP40

Kits for Silcare Breathe

Valve Kits

- 559015 Silcare Breathe Locking Valve Kit - Liner
Sizes - 22, 23, 25
- 559016 Silcare Breathe Locking Valve Kit - Liner
Sizes - 26, 28
- 559017 Silcare Breathe Locking Valve Kit - Liner
Sizes - 30, 32, 34
- 559018 Silcare Breathe Locking Valve Kit - Liner
Sizes - 36, 40

Casting Dummy Kit

- 559019 Silcare Breathe Casting Dummy Kit for
Locking - all sizes



Cosmesis

Ankle

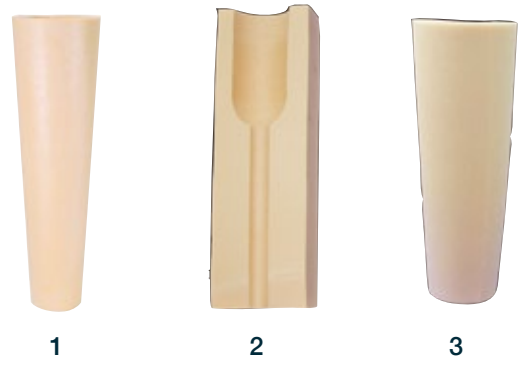


Ankle cosmesis for Multiflex low profile feet.

Part Numbers

	Left	Right	Size
Low Profile Feet			
Multiflex Foot/	561068	561069	22/23/24
Slim Multiflex	561070	561071	25/26
	561072	561073	27/28
	561074	561075	29/30

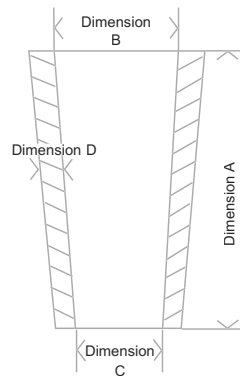
TT



Plastazote cone for trans-tibial cosmesis.

Part Numbers - 1

Dimensions				Number
A	B	C	D	
470	135	85	27	561014
470	155	85	27	561015
470	175	85	27	561012



Part Number - 2

30mm TT 2 step PE foam block 560043

Part Number - 3

30mm TT 2 step PU foam 560040

Demountable



Trans-femoral foam for demountable knees.

Part Numbers

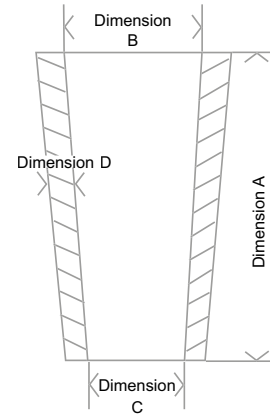
Fairings for Blatchford Knees

Fairing Shaped Small Left (Compatible with ESK+, Smart IP, and Mercury Knee)	561095
Fairing Shaped Small Right (Compatible with ESK+, Smart IP, and Mercury Knee)	561096
Fairing Shaped Large Left (Compatible with ESK+, Smart IP, and Mercury Knee)	561097
Fairing Shaped Large Right (Compatible with ESK+, Smart IP, and Mercury Knee)	561098

Universal Fairings

Internal 55mm bore extends 200mm below knee centre	560031
Internal 55mm bore extends 50mm below knee centre (Compatible with Compact SAKL)	560032
Fairing Universal Unshaped (Compatible with ESK+, Mercury and KX07)	561094
Fairing Universal Unshaped Long (Suitable for through hip or tall patients)	561020

TF Thigh



Plastazote thigh fairing for upper part of discontinuous cosmesis.

Part Numbers

Dimensions

A	B	C	D	Number
450	175	115	27	561001
450	200	140	27	561004

Durafoam



Durafoam fairing with low resistance knee flexion section to optimise gait changes

Foam fairing with low resistance knee flexion region.

Part Number

Durafoam knee fairing for use with Orion3 and Linx **561093**

Detachable cosmetic cover **561101BLACK**

Stockings



Part Numbers

Unseamed toe, brown nylon, 30 denier x 1.25m

909212

Supplied individually

Mercury Discontinuous



Part Numbers

Description	Dimension Distal	Proximal	Wall Dimension	Parts
Shin Fairing (1)	85 mm	135 mm	27mm	561014
Shin Fairing (1)	85 mm	155 mm	27mm	561015
Shin Fairing (1)	85 mm	175 mm	27mm	561012
Thigh Fairing (2)	115 mm	175 mm	27mm	561001
Thigh Fairing (2)	140 mm	200 mm	27mm	561004
Shin Sleeve (3)				580048



Pyramid version
not shown

Valves and Accessories



Socket Connection Kit*
409663

*For EchelonVAC and AvalonK2VAC products only

Threaded Housing
929053



Vac Barb 90° swivel
929055



One-way check valve
929054



In-line filter
929051



Check Valve Service Kit
409863

*For EchelonVAC and AvalonK2VAC products only

Aria Hybrid Valve
929062



Valve Block Assembly*
409763

*For EchelonVAC and AvalonK2VAC products only.



Vacuum tubing 1m length
905464



Aria Valve Plus CA200-AVPM 929074

Blatchford Socket Lock



- A robust socket lock for silicone and gel liners
- Ratchet operation provides audible feedback for amputee
- Can be laminated or thermoformed into position

Part number:

109108 Socket Lock

109308 M10 Lock Rod Assembly

Blatchford Socket Valves



Part number:

Trans-femoral Suction Socket Valve Kit:

099132 standard 19mm dia. orifice

099134 large 24mm dia. orifice

Trans-femoral, Flexible Socket Valve Kit:

099135 large 24mm dia. orifice

Warranty Listing

Integrated Limb System	
Linx	36 months*
Knees	
Orion3	36 months*
SmartIP – all variants, brake band 12 months only	24 months
KX07	36 months
Mercury – all variants	36 months
ESK+ - all variants, brake band 12 months only	24 months
BMK2	24 months
Compact SAKL	24 months
Aqualimb TF	24 months
Child's 4-bar Knee	24 months
Feet	
Elan	36 months*
ElanIC	36 months*
BladeXT (excluding paintwork and sole cover)	24 months
Mini BladeXT (excluding paintwork and sole cover)	24 months
Elite BladeVT	36 months
Elite Blade	36 months
EliteVT	36 months
Elite2	36 months
EchelonVT	36 months
Echelon	36 months
EchelonER	36 months
EchelonVAC	36 months
Javelin	36 months
Epirus	36 months
Esprit	36 months
Navigator	24 months
AvalonK2	24 months
AvalonK2VAC	24 months
Multiflex - all variants	24 months
Super SACH	24 months
Aqualimb	24 months

Controls	
SmartIP	24 months
PSPC	24 months
Blatchford Hydraulic Cylinders - all variants	24 months
Service Exchange Products	
Blatchford units - all variants	12 months
SmartIP	18 months
Ankles, Adapters and Shins	
Multiflex Ankles	24 months
Ankle Snubbers	3 months
All Adapters & Tubes	24 months
Shins	24 months
TT Pro – all variants	24 months
Liners and Sleeves	
Silcare Breathe Liners	6 months
Silcare Liners	6 months
Blatchford Comfort Liners	6 months
Suspension Sleeves	1 month
Foot Shells and Cosmesis	
Foot Shell	12 months
Cosmetic Items (Fairings, Coverings, Kneeballs etc)	1 month
Glide Sock	3 months
Cosmetic Cover (Orion3/Linx)	6 months

See Blatchford website for current full warranty statement.

Warranty periods commence from the original date of shipment unless otherwise stated.

Note: Any warranty on repaired or replaced items is governed by the original date as the remaining warranty period from the original purchase must be maintained.

*Extended warranty is available on request; contact your service provider.

Global Warranty Statement

Blatchford Group warrants its products for a period of time against defects in Blatchford material and workmanship (“Manufacturing Defect”). The warranty period applies from the date of the first shipment of the Product to you (the “Original Shipment Date”), unless otherwise specified.

In the event that a Manufacturing Defect is discovered during the warranty period, Blatchford will, at its discretion, repair or replace the affected part or device. If repair is not possible, Blatchford will replace it with another of equivalent function. If this is not possible, Blatchford will refund the purchase price associated with the Manufacturing Defect. Depending on the circumstances and at the discretion of Blatchford, this might be a refund of a specific part of, or the whole device. The warranty of the repaired or replaced part is limited to the remaining warranty period from the Original Shipment Date.

To the extent permitted by local law, the warranty coverage is limited to an amount equivalent to the cost of the original failed part (or where applicable, device) and excludes all associated or related costs. For the sake of clarity, the phrase “all associated or related costs” includes but is not limited to associated parts, assembly and disassembly costs, transport costs, travel and handling costs and any form of compensation.

The warranty does not cover issues arising from misuse, accidental damage, neglect, wear and tear, unapproved component modifications, incorrect assembly and unless otherwise specified, immersion in water.

Specific limitation of use as detailed in the documentation supplied with the product (Instructions for Use) must be complied with. This warranty does not cover products that are modified to meet the needs of the customer where such modifications may adversely affect the lifespan of the item.

Blatchford makes no other express warranty or condition, whether written or oral. To the extent allowed by local law, any implied warranty or condition of merchantability, satisfactory quality, or fitness for a particular purpose is hereby disclaimed. Some countries/regions, states, or provinces do not allow limitations on the duration of an implied warranty, so the above disclaimer may not apply to you. This warranty gives you specific legal rights, and you may also have other rights that vary from country/region to country/region, state to state, or province to province.

To the extent allowed by local law, the remedies in this warranty statement are your sole and exclusive remedies. except as indicated above, in no event will Blatchford or its suppliers be liable for direct, special, incidental, consequential, or other damage, whether based in contract, tort, or otherwise. Some countries/regions, states, and provinces do not allow the exclusion of certain damages, in which case to the extent prohibited, the above limitations and exclusions may not apply to you.

If the product comes with a Warranty Registration Form then this must be completed and returned to the company for the warranty to be effective.

Where requested by Blatchford, a Warranty Claim Form must be fully completed and supplied with the affected part to qualify for warranty.

To make a claim under product warranty, please contact our Customer Services department.

Please be aware our Warranty Statement is subject to change - in all cases our current Warranty Statement is published on our website.

The Bluetooth® word mark and logos are registered trademarks owned by Bluetooth SIG, Inc. and any use of such marks by Blatchford is under license. Other trademarks and trade names are those of their respective owners.



An annual visual inspection is recommended. Check for visual defects that may affect proper function. Maintenance must be carried out by competent personnel. Before carrying out any new activities of daily living, please check with your clinician whether specific training is required.

800 548 3534 | info@blatchfordus.com
Blatchford Inc., 1031 Byers Road, Miamisburg, Ohio 45342, USA.

[@blatchfordus](https://twitter.com/blatchfordus) | [blatchfordmobility.com](https://www.blatchfordmobility.com)

936594US Iss21_5 05/23. Information correct at time of print.

Blatchford 